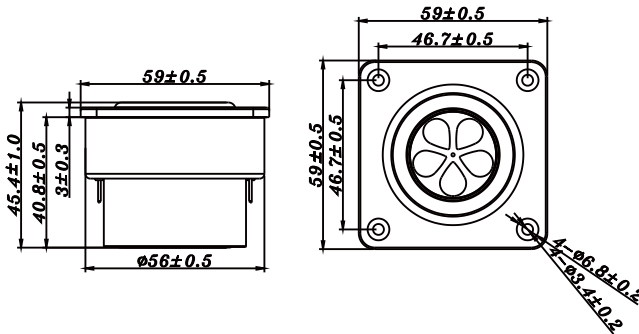


ZT1-1828SD

1" 铝膜 方形 全频 模块

Datasheet



DIAPHRAGM	Alum. composite with elastomer
HOUSING	PP composite material
IMPEDANCE	4 ohm
MUSIC POWER	8 W
RESPONSE RANGE	75 Hz - 20KHz (-6dB)
SENSITIVITY	80 dB (M / W)
Fs	75 Hz

TB speaker