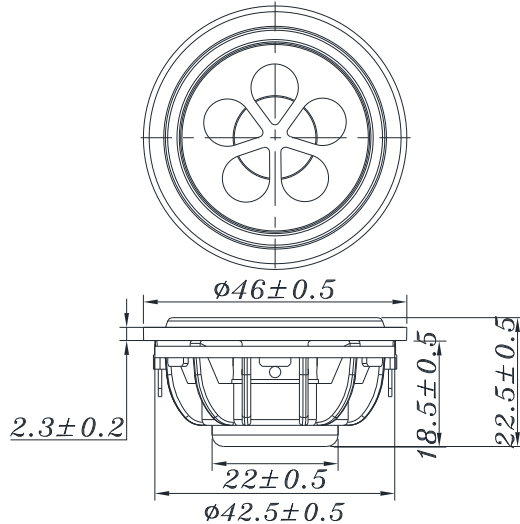




# W1-2124S

1" 铝膜 内磁式全音域喇叭

## Datasheet



DIAPHRAGM MTL	Aluminium
SURROUND MTL	Santopene
NOMINAL IMPEDANCE	4 $\Omega$
SENSITIVITY 1W/1m	81 dB
FREQUENCY RESPONSE	190 - 20 K Hz
FREE AIR RESONANCE	190 Hz
VOICE COIL DIAMETER	14.28 mm
AIR GAP HEIGHT	2 mm
RATED POWER INPUT	2 W
MAXIMUM POWER INPUT	4 W
X-max	0.7 mm

**TB**  
speaker