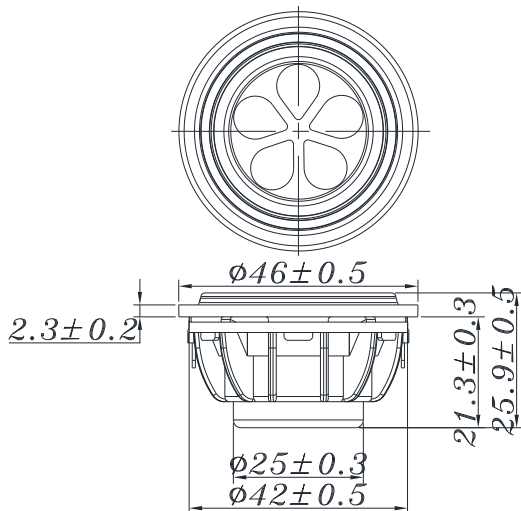




# W1-2067SA

1" 铝膜 内磁式全音域喇叭

## Datasheet



DIAPHRAGM MTL	Aluminium
SURROUND MTL	Santopene
NOMINAL IMPEDANCE	4 $\Omega$
SENSITIVITY 1W/1m	78 dB
FREQUENCY RESPONSE	150 - 17 K Hz
FREE AIR RESONANCE	150 Hz
VOICE COIL DIAMETER	19.4 mm
AIR GAP HEIGHT	1.3 mm
RATED POWER INPUT	3 W
MAXIMUM POWER INPUT	6 W
X-max	2 mm

**TB**  
Speaker