

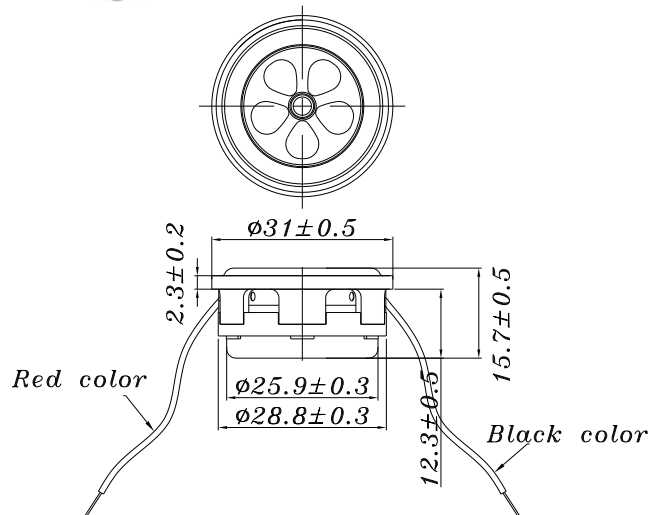


W1-1815S

1" 鋁凹膜 內磁式全音域喇叭

Datasheet

DIAPHRAGM MTL	Aluminum
SURROUND MTL	Santoprene
NOMINAL IMPEDANCE	4 Ω
SENSITIVITY 1W/1m	73 dB
FREQUENCY RESPONSE	170 - 18K Hz
FREE AIR RESONANCE	170 Hz
VOICE COIL DIAMETER	19.4 mm
AIR GAP HEIGHT	1.5 mm
RATED POWER INPUT	3 W
MAXIMUM POWER INPUT	5 W
X-max	1.25 mm



TB
Speaker