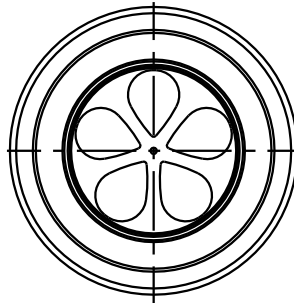
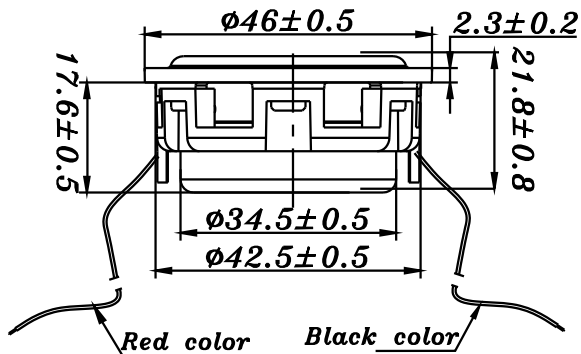


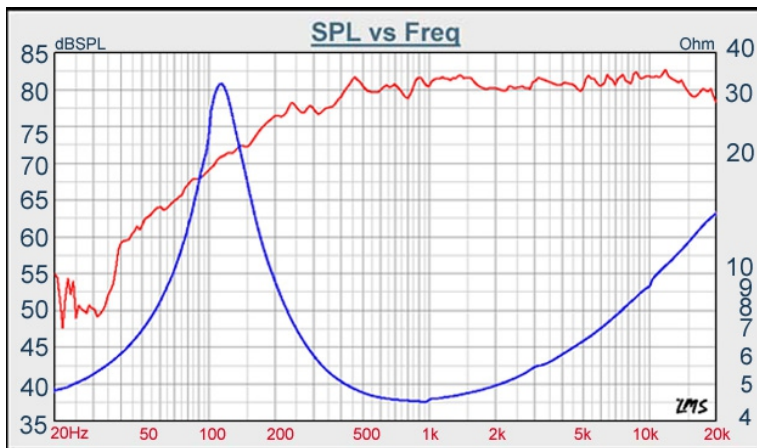
F SERIES

W1-1828SA



- THE HIGHEST PERFORMANCE OF INNOVATIVE, TINY FULL RANGE DRIVER DESIGN
- OUTSIDE DIAMETER OF 46mm, Fo:120Hz
- ALUMINIUM DIAPHRAGM WITH SANTOPRENE SURROUND
- NEODYMIUM MAGNET SYSTEM
- PATENTED PRODUCT WITH EXCELLENT CONSISTENCY
- IT'S GOOD FOR MULTIMEDIA APPLICATION

1" ALUM, FULL RANGE



DIAPHRAGM MTL	Aluminium
SURROUND MTL	Santoprene
NOMINAL IMPEDANCE	4 Ω
DCR IMPEDANCE	3.5 Ω
SENSITIVITY 1W/1m	81 dB
FREQUENCY RESPONSE	120 -20K Hz
FREE AIR RESONANCE	120 Hz
VOICE COIL DIAMETER	28 mm
AIR GAP HEIGHT	2.5 mm
RATED POWER INPUT	4 W
MAXIMUM POWER INPUT	8 W
FORCE FACTOR, BL	2.61 TM
TYPE OF MAGNET	Neodymium
MOVING MASS	0.99 g
FERROFLUID ENHANCED	YES
SUSPENSION COMPLIANCE	1972 μMN ⁻¹
EFFECTIVE PISTON AREA	0.0009 M ²
Levc	0.051 mH
Zo	32 Ω
X-max	1.25 mm
Vas	0.23 Liter
Qts	0.33
Qms	3.12
Qes	0.37

TB SPEAKERS

VOICE:886.2.26570282 FAX:886.2.26580166
E-MAIL :info@tb-speaker.com