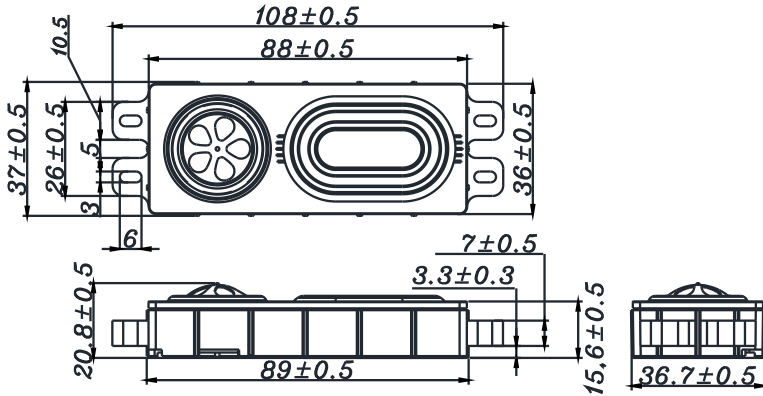


MODULE

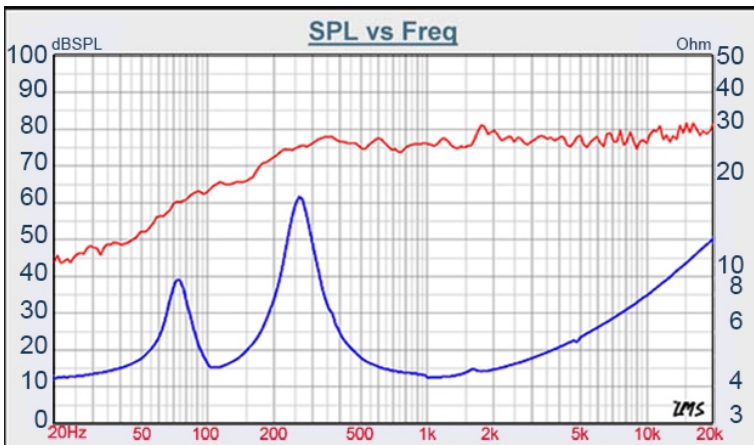
T1-1931S



- COMPREHENSIVE SOLUTION FOR AUDIO DESIGN.
- COMBINE DRIVER, PASSIVE RADIATOR AND BOX AS ONE UNIT, PATENTED.
- SLIM AND TINY, LOW BASS $F_s = 105$ Hz.
- MODULE COULD BE RESHAPED TO FIT CUSTOMER'S APPLICATION.
- GOOD FOR PORTABLE, SOUNDBAR, MULTIMEDIA. . . APPLICATION.
- MOUNTING KIT WITH AMPLIFIER IS AVAILABLE.

SYSTEM SPECIFICATION

SYSTEM	Passive radiator design
ACTIVE DRIVER	31mm dome shape driver
DIAPHRAGM	PP composite with elastomer
HOUSING	PP composite material
FINISH	Black
DIMENSIONS	108 x 37 x 20.8mm
VOICE COIL DIAMETER	19.4 mm
IMPEDANCE	4ohm
POWER LOADING	2 W(RMS)
MUSIC POWER	4 W
RESPONSE RANGE	105Hz - 20KHz
SENSITIVITY 1W / 1m	76 dB
F_s	105 Hz
POWER RECOMMENDED	3W (RMS)
DESIGN SUGGESTION	High pass filter with 100Hz, -12dB/oct



TB SPEAKERS

VOICE: 886.2.26570282 FAX: 886.2.26580166
E-MAIL: info@tb-speaker.com