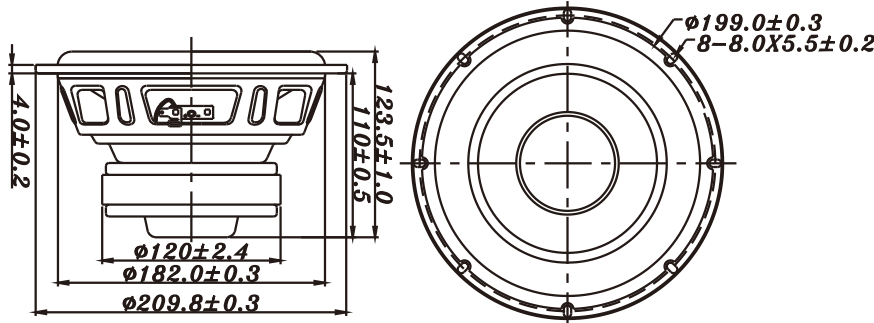


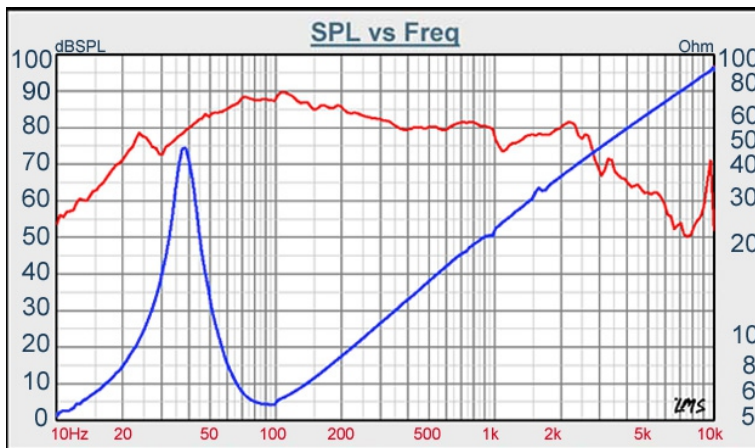
SU SERIES

W8-670T



- PAPER CONE WITH WILD TEMPERATURE RUBBER SURROUND
- LONG THROW, HIGH POWER LOADING DESIGN, Xmax = 7.85mm VENTED POLE PIECE
- STAMPED STEEL BASKET
- SUITABLE FOR SUBWOOFER APPLICATION
- EXTREMELY LINEAR EXCURSION DESIGN

8" PAPER SUBWOOFER



DIAPHRAGM MTL	Paper
SURROUND MTL	Rubber
NOMINAL IMPEDANCE	4 Ω
DCR IMPEDANCE	3.6 Ω
SENSITIVITY 1W/1m	86 dB
FREQUENCY RESPONSE	40-1K Hz
FREE AIR RESONANCE	40 Hz
VOICE COIL DIAMETER	38.5 mm
AIR GAP HEIGHT	8 mm
RATED POWER INPUT	80 W
MAXIMUM POWER INPUT	160 W
FORCE FACTOR, BL	9.43 TM
TPYE OF MAGNET	Ferrite
MOVING MASS	49.89 g
FERROFLUID ENHANCED	No
SUSPENSION COMPLIANCE	338.65 μMN^{-1}
EFFECTIVE PISTON AREA	0.022 M^2
Levc	0.72 mH
Zo	80 ohm
X-max	7.85 mm
Vas	23.27 Litr
Qts	0.45
Qms	5.87
Qes	0.49

TB SPEAKERS

VOICE:886.2.26570282 FAX:886.2.26580166
E-MAIL :info@tb-speaker.com