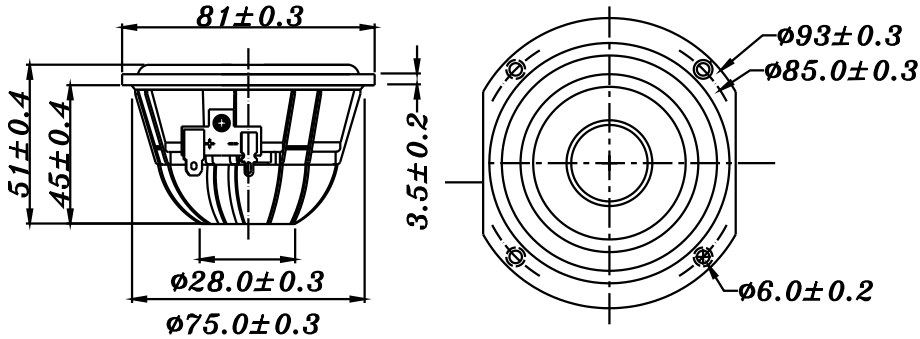


# F SERIES

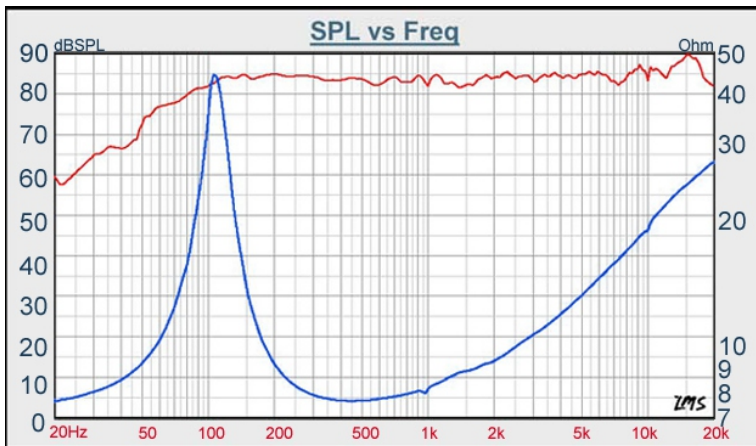
# W3-532SQ



- NEODYMIUM MAGNET DESIGN
- FULL RANGE FREQUENCY RESPONSE
- DIE CAST BASKET
- PPM. CONE WITH SANTOPRENE SURROUND
- MAGNETICALLY SHIELDED

## 3" NEODYMIUM FULL RANGE

DIAPHRAGM MTL	Natural color PPM
SURROUND MTL	Santoprene
NOMINAL IMPEDANCE	8 Ω
DCR IMPEDANCE	6.6 Ω
SENSITIVITY 1W/1m	86 dB
FREQUENCY RESPONSE	100 - 20K Hz
FREE AIR RESONANCE	100 Hz
VOICE COIL DIAMETER	20.4 mm
AIR GAP HEIGHT	6 mm
RATED POWER INPUT	12 W
MAXIMUM POWER INPUT	25 W
FORCE FACTOR, BL	3.53 TM
TYPE OF MAGNET	Neodymium
MOVING MASS	1.75 g
FERROFLUID ENHANCED	No
SUSPENSION COMPLIANCE	1152 $\mu\text{MN}^{-1}$
EFFECTIVE PISTON AREA	0.0032 $\text{M}^2$
Levc	0.27 mH
Zo	56.68 Ω
X-max	0.2 mm
Vas	1.68 Litr
Qts	0.61
Qms	5.26
Qes	0.69



# TB SPEAKERS

VOICE:886.2.26570282 FAX:886.2.26580166  
E-MAIL :info@tb-speaker.com