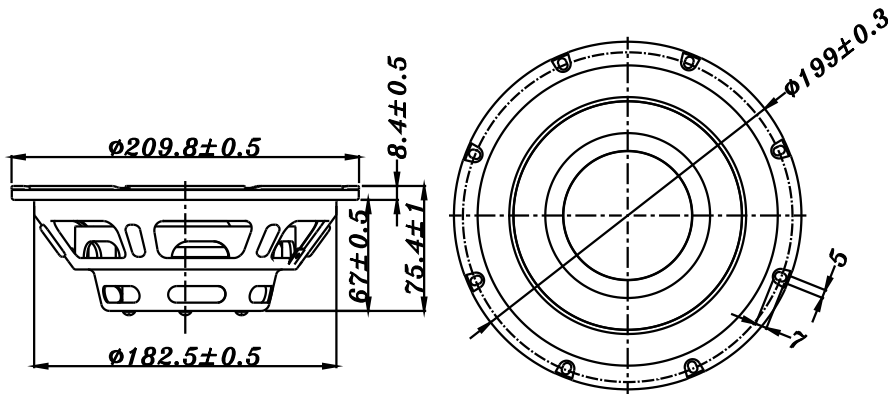


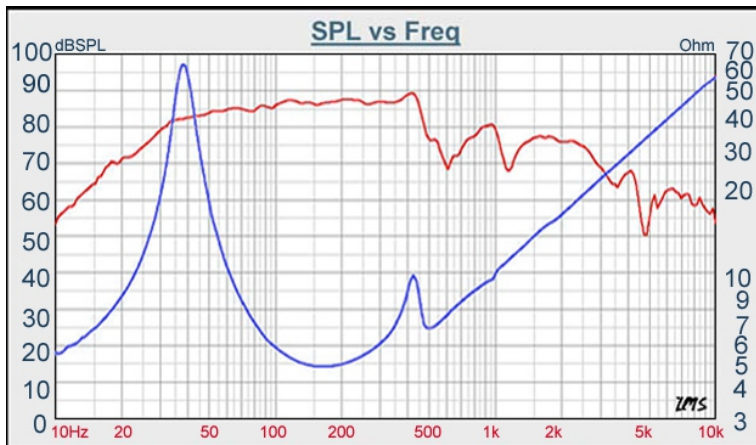
SU SERIES

W8-1853



- HIGH POWER LOADING DESIGN
- NEODYMIUM MOTOR STRUCTURE, VENTED POLE PIECE
- STAMPED STEEL BASKET, MAGNETICALLY SHIELDED
- PP INJECTION CONE WITH LOW LOSS OF FOAM RUBBER SURROUND
- GOOD FOR IN-WALL, CAP SPEAKER, SUBWOOFER APPLICATION
- VERY SHALLOW DESIGN, EFFECTIVE HEIGHT OF 67mm

8" SUBWOOFER



DIAPHRAGM MTL	PP Injection
SURROUND MTL	Foam Rubber
NOMINAL IMPEDANCE	4 Ω
DCR IMPEDANCE	3.4 Ω
SENSITIVITY 1W/1m	86 dB
FREQUENCY RESPONSE	37 - 350 Hz
FREE AIR RESONANCE	37 Hz
VOICE COIL DIAMETER	49.5 mm
AIR GAP HEIGHT	6 mm
RATED POWER INPUT	100 W
MAXIMUM POWER INPUT	200 W
FORCE FACTOR, BL	13.01 TM
TYPE OF MAGNET	Neodymium
MOVING MASS	69.85 g
FERROFLUID ENHANCED	No
SUSPENSION COMPLIANCE	259.28 μMN^{-1}
EFFECTIVE PISTON AREA	0.022 M^2
Levc	0.543 mH
Zo	65 Ω
X-max	5.25 mm
Vas	17.82 Litr
Qts	0.31
Qms	5.95
Qes	0.33



VOICE:886.2.26570282 FAX:886.2.26580166
E-MAIL :info@tb-speaker.com