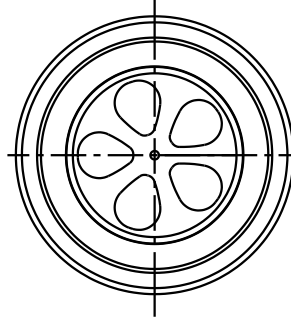
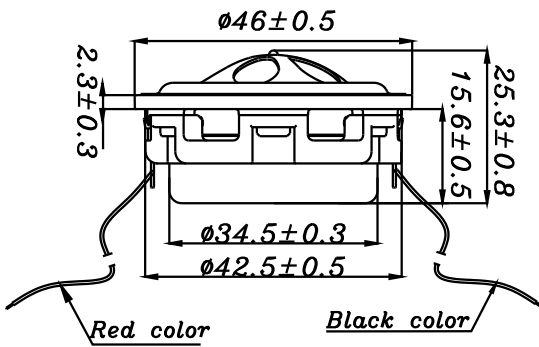


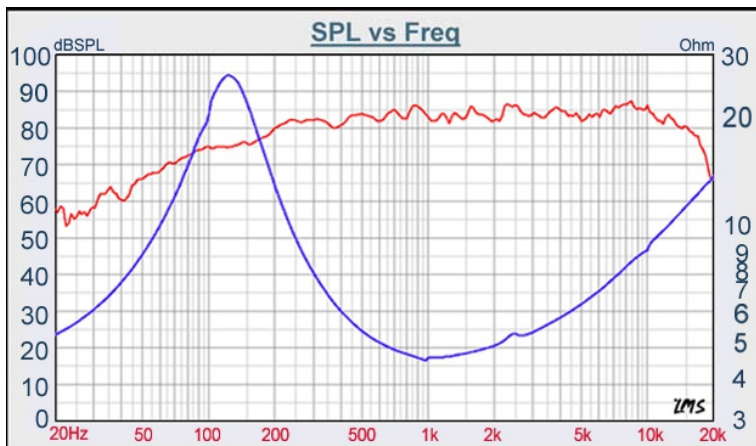
F SERIES

W1-1942S



- THE HIGHEST PERFORMANCE OF INNOVATIVE, TINY FULL RANGE DRIVER DESIGN
- OUTSIDE DIAMETER OF 46mm, Fo:120Hz SURROUND
- PP CONE WITH SANTOPRENE SURROUND
- NEODYMIUM MOTOR SYSTEM
- PATENTED PRODUCT WITH EXCELLENT CONSISTENCY
- IT'S GOOD FOR MULTIMEDIA APPLICATION

1" PP CONE , FULL RANGE



DIAPHRAGM MTL	Mineral filled pp
SURROUND MTL	Santoprene
NOMINAL IMPEDANCE	4 Ω
DCR IMPEDANCE	3.5 Ω
SENSITIVITY 1W/1m	82 dB
FREQUENCY RESPONSE	120 -20K Hz
FREE AIR RESONANCE	120 Hz
VOICE COIL DIAMETER	28 mm
AIR GAP HEIGHT	2.5 mm
RATED POWER INPUT	4 W
MAXIMUM POWER INPUT	8 W
FORCE FACTOR, BL	3.49 TM
TYPE OF MAGNET	Neodymium
MOVING MASS	1.25 g
FERROFLUID ENHANCED	No
SUSPENSION COMPLIANCE	1373 μMN^{-1}
EFFECTIVE PISTON AREA	0.00090 M^2
Levc	0.046 mH
Zo	27 Ω
X-max	1.3 mm
Vas	0.158 Litr
Qts	0.24
Qms	1.79
Qes	0.27

TB SPEAKERS

VOICE:886.2.26570282 FAX:886.2.26580166
E-MAIL :info@tb-speaker.com