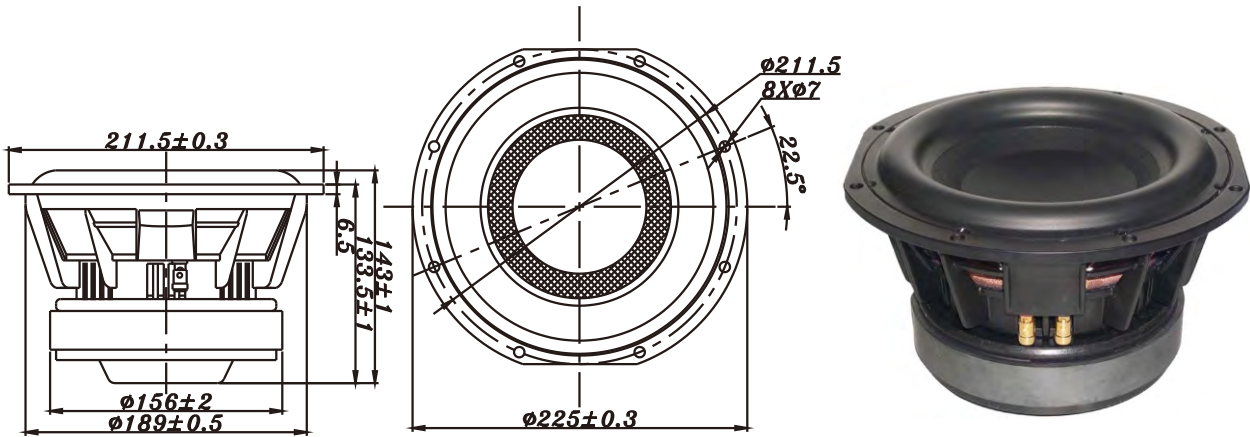


SU SERIES

W8-740M



- LONG THROW HIGH POWER LOADING DESIGN ($X_{max}=12\text{mm}$)
- PAPER CONE WITH RUBBER SURROUND (LIGHT WEIGHT & HIGH STIFFNESS)
- VENTED POLE PIECE
- DIE CAST BASKET
- SUITABLE FOR SUBWOOFER APPLICATION
- MAGNETIC VOICE COIL

8" PAPER SUBWOOFER



DIAPHRAGM MTL	Paper
SURROUND MTL	Rubber
NOMINAL IMPEDANCE	4 Ω
DCR IMPEDANCE	3.2 Ω
SENSITIVITY 1W/1m	82 dB
FREQUENCY RESPONSE	30-800 Hz
FREE AIR RESONANCE	30 Hz
VOICE COIL DIAMETER	50 mm
AIR GAP HEIGHT	8 mm
RATED POWER INPUT	150 W
MAXIMUM POWER INPUT	300 W
FORCE FACTOR, BL	14.32 TM
TYPE OF MAGNET	Ferrite
MOVING MASS	119.74 g
FERROFLUID ENHANCED	No
SUSPENSION COMPLIANCE	214.012 μMN^{-1}
EFFECTIVE PISTON AREA	0.022 M^2
Levc	0.87 mH
Zo	39 ohm
X-max	12 mm
Vas	14.71 Liter
Qts	0.34
Qms	4.29
Qes	0.37



VOICE:886.2.26570282 FAX:886.2.26580166
E-MAIL :info@tb-speaker.com