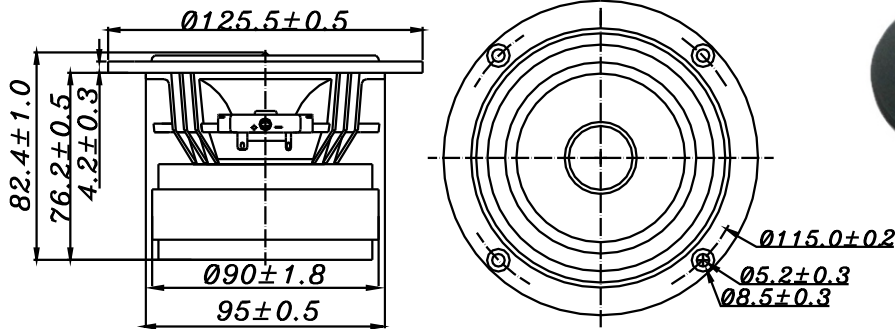


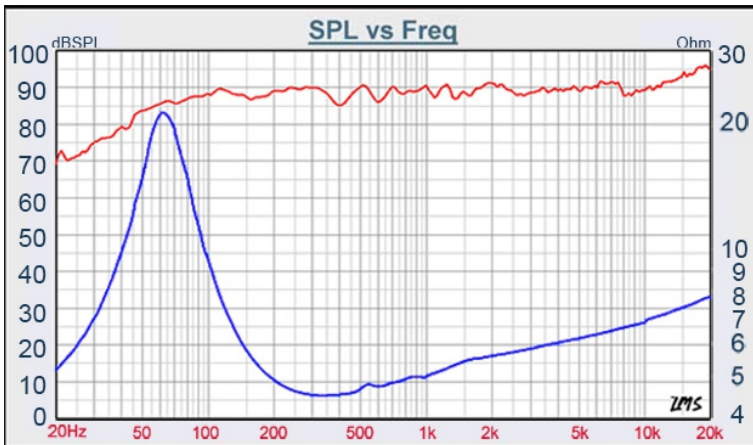
F SERIES

W4-1320SMF



- LONG THROW, HIGH POWER LOADING DESIGN
- BAMBOO FIBER PAPER CONE WITH RUBBER SURROUND
- ALUMINUM DIE CAST BASKET
- VENTED POLE PIECE
- UNDERHUNG MOTOR DESIGN
- LOW 2nd, 3rd HARMONIC DISTORTION DESIGN

4" PAPER FULL RANGE



DIAPHRAGM MTL	Paper
SURROUND MTL	Rubber
NOMINAL IMPEDANCE	4 Ω
DCR IMPEDANCE	3.4 Ω
SENSITIVITY 1W/1M	88 dB
FREQUENCY RESPONSE	70 - 20 KHz
FREE AIR RESONANCE	70 Hz
VOICE COIL DIAMETER	25.4 mm
AIR GAP HEIGHT	10 mm
RATED POWER INPUT	25 W
MAXIMUM POWER INPUT	50 W
FORCE FACTOR, BL	3.54 TM
TYPE OF MAGNET	Ferrite
MOVING MASS	3.99 g
FERROFLUID ENHANCED	No
SUSPENSION COMPLIANCE	1605 μMN^{-1}
EFFECTIVE PISTON AREA	0.0057 M^2
Levc	0.009 mH
Zo	22 Ω
X-max	2.4 mm
Vas	7.40 Litr.
Qts	0.36
Qms	2.26
Qes	0.43



VOICE:886.2.26570282 FAX:886.2.26580166
E-MAIL :info@tb-speaker.com