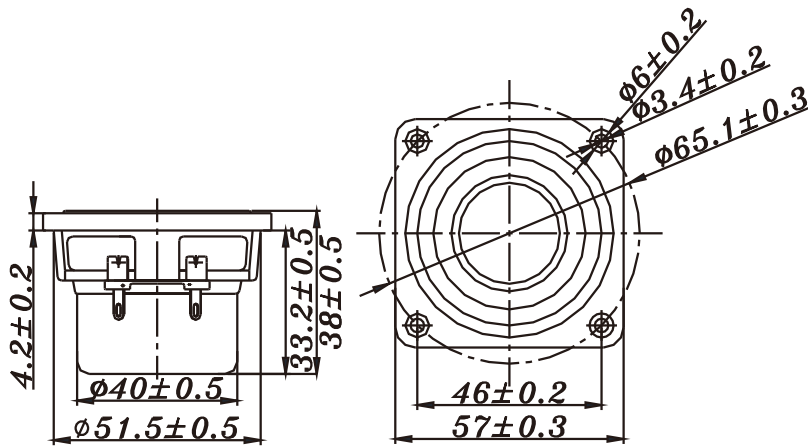


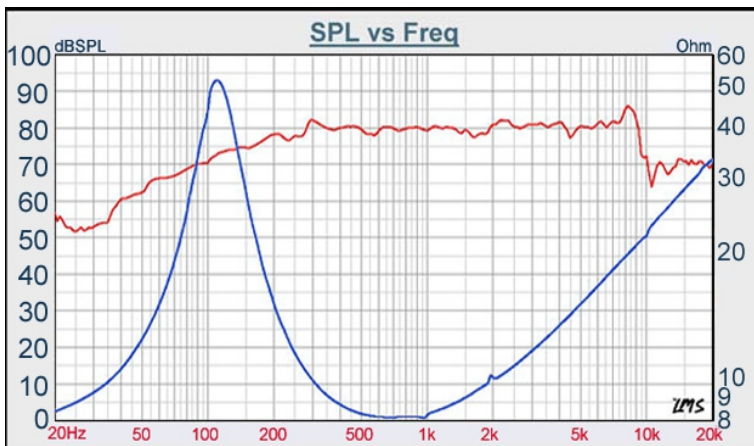
# PA SERIES

# W2-1767S



- 2" DRIVER WITH VERY LONG THROW DESIGN, X-max=3mm
- ALUMINUM DUST CAP
- NEODYMIUM MAGNET SYSTEM
- FO=110Hz, 20W(RMS) / 8ohm , HIGH POWER LOADING DESIGN
- PAPER CONE WITH SANTOPRENE SURROUND

## 2" PAPER WOOFER



DIAPHRAGM MTL	Paper
SURROUND MTL	Santoprene
NOMINAL IMPEDANCE	8 Ω
DCR IMPEDANCE	6.6 Ω
SENSITIVITY 1W/1m	80 dB
FREQUENCY RESPONSE	110 -10K Hz
FREE AIR RESONANCE	110 Hz
VOICE COIL DIAMETER	25.40 mm
AIR GAP HEIGHT	3 mm
RATED POWER INPUT	20 W
MAXIMUM POWER INPUT	30 W
FORCE FACTOR, BL	5.05 TM
TYPE OF MAGNET	Neodymium
MOVING MASS	2.31 g
FERROFLUID ENHANCED	No
SUSPENSION COMPLIANCE	914.446 $\mu\text{MN}^{-1}$
EFFECTIVE PISTON AREA	0.0013 $\text{M}^2$
Levc	0.116 mH
Zo	50 Ω
X-max	3 mm
Vas	0.22 Litr
Qts	0.36
Qms	2.85
Qes	0.41

# TB SPEAKERS

VOICE:886.2.26570282 FAX:886.2.26580166  
E-MAIL :info@tb-speaker.com