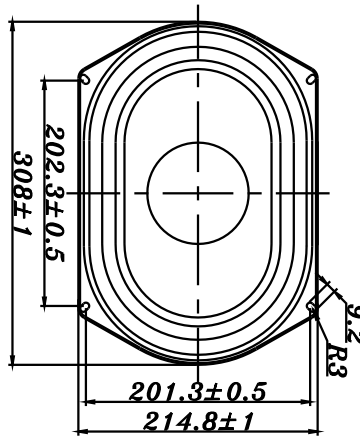
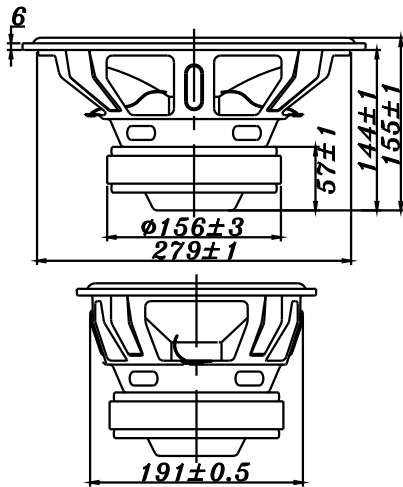


# SU SERIES

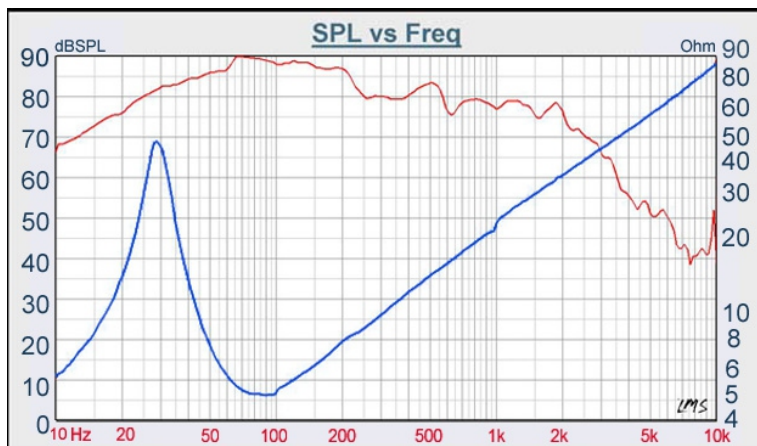
# W8Q-1071F



- LONG THROW HIGH POWER LOADING DESIGN
- OVAL SHAPE PAPER CONE WITH TWIN ROLL RUBBER SURROUND
- VENTED POLE PIECE
- STAMPED STEEL BASKET
- SUITABLE FOR SUBWOOFER APPLICATION

## 8\*12" PAPER SUBWOOFER

DIAPHRAGM MTL	Air Dry Paper
SURROUND MTL	Rubber W Sahpe
NOMINAL IMPEDANCE	4 $\Omega$
DCR IMPEDANCE	3.2 $\Omega$
SENSITIVITY 1W/1m	88 dB
FREQUENCY RESPONSE	27-200 Hz
FREE AIR RESONANCE	27 Hz
VOICE COIL DIAMETER	49.5 mm
AIR GAP HEIGHT	8 mm
RATED POWER INPUT	250 W
MAXIMUM POWER INPUT	500 W
FORCE FACTOR, BL	14.57 TM
TYPE OF MAGNET	Ferrite
MOVING MASS	134.66 g
FERROFLUID ENHANCED	No
SUSPENSION COMPLIANCE	234.366 $\mu\text{MN}^{-1}$
EFFECTIVE PISTON AREA	0.0460 $\text{M}^2$
Levc	0.851 mH
Zo	46.13 $\Omega$
X-max	12 mm
Vas	70.42 Litr
Qts	0.34
Qms	4.60
Qes	0.36



VOICE:886.2.26570282 FAX:886.2.26580166  
E-MAIL :info@tb-speaker.com