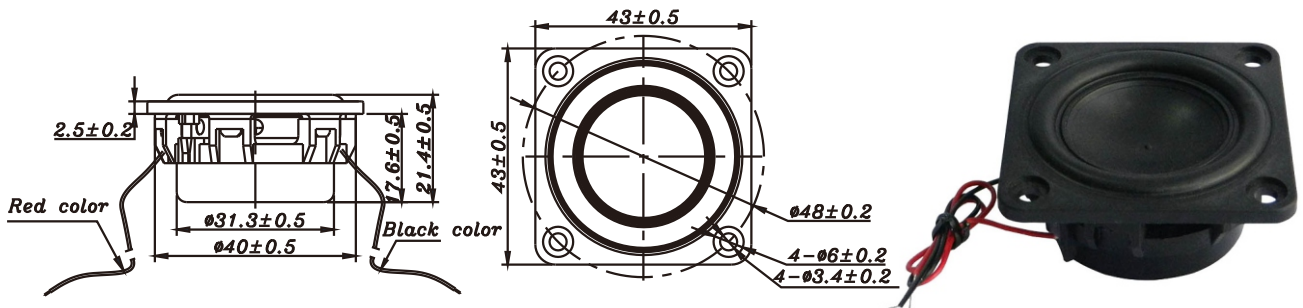


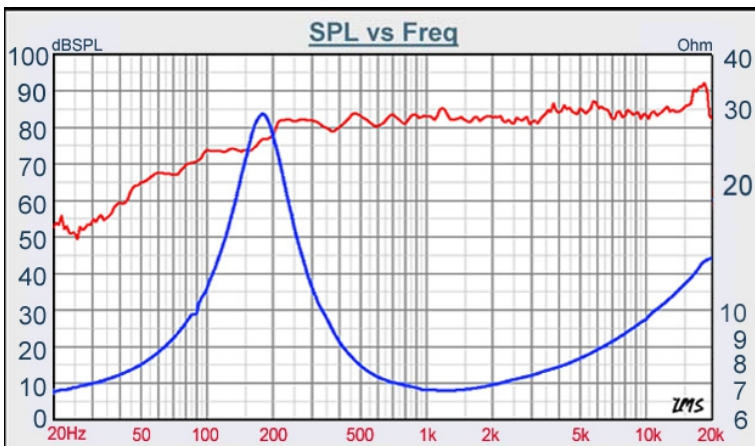
**F** SERIES

**W1-1070SH**



- FULL RANGE DESIGN
- COMPOSITE MATERIAL BASKET
- EXCELLENT CONSISTENCY AND WEATHERABILITY, WATER RESISTANT PERFORMANCE
- INVERTED ALUMINUM DIAPHRAGM WITH TPE SURROUND
- NEODYMIUM MAGNET DESIGN
- GOOD FOR MULTIMEDIA, BLUETOOTH PORTABLE SPEAKER APPLICATION

**1" REVERSE ALUM.  
FULL RANGE**



|                       |                            |
|-----------------------|----------------------------|
| DIAPHRAGM MTL         | Reverse Alum.              |
| SURROUND MTL          | Santoprene                 |
| NOMINAL IMPEDANCE     | 8 Ω                        |
| DCR IMPEDANCE         | 6 Ω                        |
| SENSITIVITY 1W/1m     | 81 dB                      |
| FREQUENCY RESPONSE    | 180 - 20 KHz               |
| FREE AIR RESONANCE    | 180 Hz                     |
| VOICE COIL DIAMETER   | 25.4 mm                    |
| AIR GAP HEIGHT        | 1.5 mm                     |
| RATED POWER INPUT     | 4 W                        |
| MAXIMUM POWER INPUT   | 8 W                        |
| FORCE FACTOR, BL      | 3.24 TM                    |
| TYPE OF MAGNET        | Neodymium                  |
| MOVING MASS           | 0.87 g                     |
| FERROFLUID ENHANCED   | YES                        |
| SUSPENSION COMPLIANCE | 914.79 $\mu\text{mN}^{-1}$ |
| EFFECTIVE PISTON AREA | 0.00085 $\text{M}^2$       |
| Levc                  | 0.030 mH                   |
| Zo                    | 32 Ω                       |
| X-max                 | 2.00 mm                    |
| Vas                   | 0.09 Litr                  |
| Qts                   | 0.42                       |
| Qms                   | 2.22                       |
| Qes                   | 0.52                       |

**TB** SPEAKERS

VOICE: 886.2.26570282 FAX: 886.2.26580166  
E-MAIL: info@tb-speaker.com