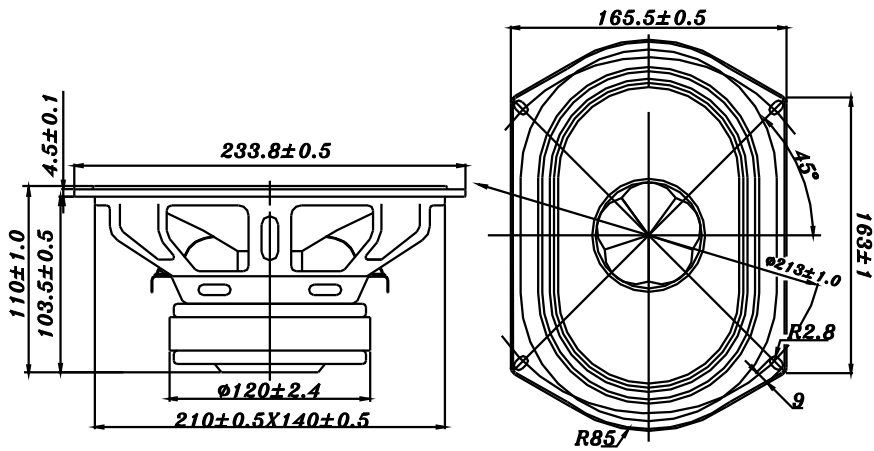


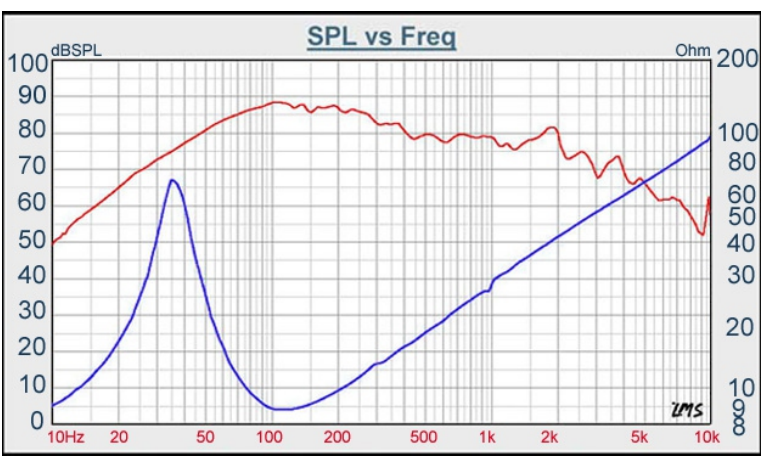
SU SERIES

W69-1042J



- LONG THROW HIGH POWER LOADING DESIGN
- OVAL SHAPE PAPER CONE WITH TWIN ROLL RUBBER SURROUND
- VENTED POLE PIECE
- STAMPED STEEL BASKET
- SUITABLE FOR SUBWOOFER APPLICATION

6*9" PAPER SUBWOOFER



DIAPHRAGM MTL	Non-Pressed Paper
SURROUND MTL	Rubber W Sahpe
NOMINAL IMPEDANCE	8 Ω
DCR IMPEDANCE	6.5 Ω
SENSITIVITY 1W/1m	87 dB
FREQUENCY RESPONSE	35-350 Hz
FREE AIR RESONANCE	35 Hz
VOICE COIL DIAMETER	38.5 mm
AIR GAP HEIGHT	8 mm
RATED POWER INPUT	90 W
MAXIMUM POWER INPUT	170 W
FORCE FACTOR, BL	13.27 TM
TYPE OF MAGNET	Ferrite
MOVING MASS	49.89 g
FERROFLUID ENHANCED	No
SUSPENSION COMPLIANCE	417.060 μMN^{-1}
EFFECTIVE PISTON AREA	0.0226 M^2
Levc	0.911 mh
Zo	68 Ω
X-max	7.3 mm
Vas	30.25 Litr
Qts	0.37
Qms	3.93
Qes	0.40



VOICE:886.2.26570282 FAX:886.2.26580166
E-MAIL :info@tb-speaker.com