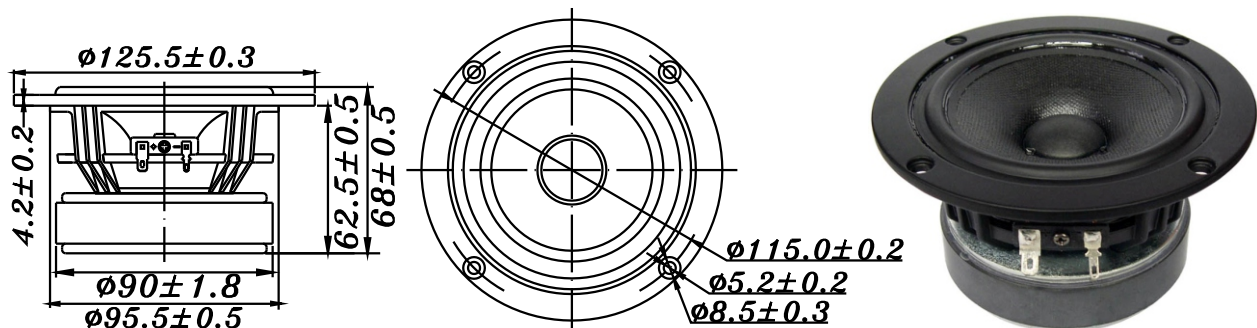


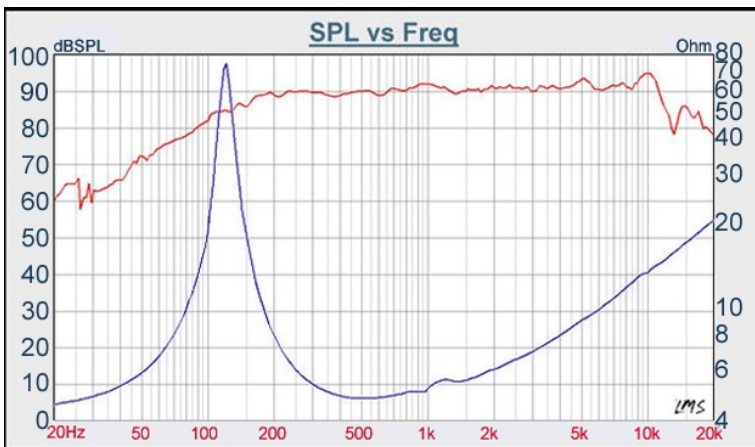
**F** SERIES

**W4-1129E**



- MID RANGE DESIGN
- HOME HI-FI, HONE THEATER, MID BASS APPLICATION
- DIE CAST BASKET
- COATED PAPER CONE WITH SANTOPRENE SURROUND
- PAPER DUST CAP

**4" PAPER CONE MIDRANGE**



DIAPHRAGM MTL	Paper
SURROUND MTL	Santoprene
NOMINAL IMPEDANCE	4 Ω
DCR IMPEDANCE	3.5 Ω
SENSITIVITY 1W/1m	90 dB
FREQUENCY RESPONSE	120 - 12K Hz
FREE AIR RESONANCE	120 Hz
VOICE COIL DIAMETER	25.4 mm
AIR GAP HEIGHT	4 mm
RATED POWER INPUT	25 W
MAXIMUM POWER INPUT	50 W
FORCE FACTOR, BL	5.17 TM
TYPE OF MAGNET	Ferrite
MOVING MASS	4.61 g
FERROFLUID ENHANCED	No
SUSPENSION COMPLIANCE	371.67 $\mu\text{MN}^{-1}$
EFFECTIVE PISTON AREA	0.0057 M <sup>2</sup>
Levc	0.076 mH
Zo	75 Ω
X-max	1.8 mm
Vas	1.72 Litr
Qts	0.44
Qms	9.43
Qes	0.46

**TB** SPEAKERS

VOICE:886.2.26570282 FAX:886.2.26580166  
E-MAIL :info@tb-speaker.com