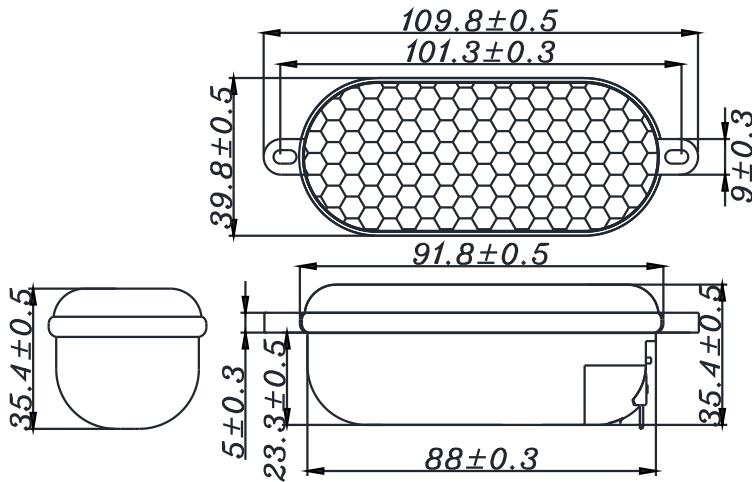


# MODULE

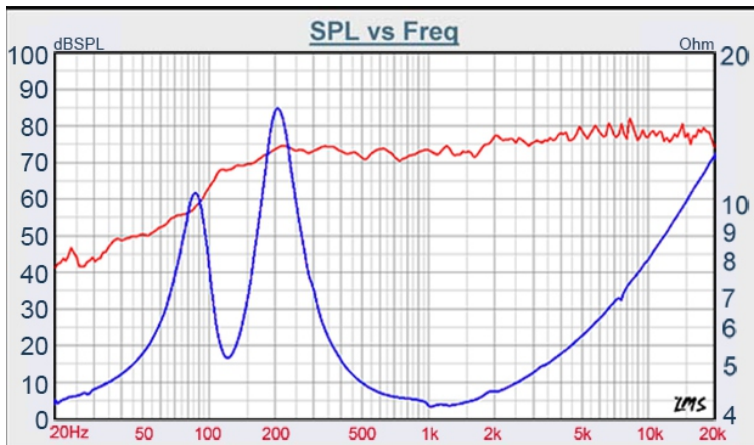
# TX1-1815SM



- COMPREHNSIVE SOLUTION FOR AUDIO DESIGN.
- COMBINE DRIVER, PASSIVE RADIATOR AND BOX AS ONE UNIT, PATENTED.
- SLIM AND TINY, LOW BASS  $F_s = 120$  Hz.
- MODULE COULD BE RESHAPED TO FIT CUSTOMER'S APPLICATION.
- GOOD FOR PORTABLE, SOUNDBAR, MULTIMEDIA... APPLICATION.
- MOUNTING KIT WITH AMPLIFIER IS AVAILABLE.

## SYSTEM SPECIFICATION

SYSTEM	Passive radiator design
ACTIVE DRIVER	31mm inverted shape driver
DIAPHRAGM	Alum. composite with elastomer
HOUSING	PP composite material
FINISH	Black
DIMENSIONS	109.8 x 39.8 x 35.4mm
VOICE COIL DIAMETER	19.4 mm
IMPEDANCE	4 ohm
POWER LOADING	2 W (RMS)
MUSIC POWER	4 W
RESPONSE RANGE	120 Hz - 20KHz
SENSITIVITY	77 dB (M / W)
$F_s$	120 Hz
POWER RECOMMENDED	3W (RMS)
DESIGN SUGGESTION	High pass filter with 100Hz, -12dB/oct



**TB** SPEAKERS

VOICE:886.2.26570282 FAX:886.2.26580166  
E-MAIL :info@tb-speaker.com