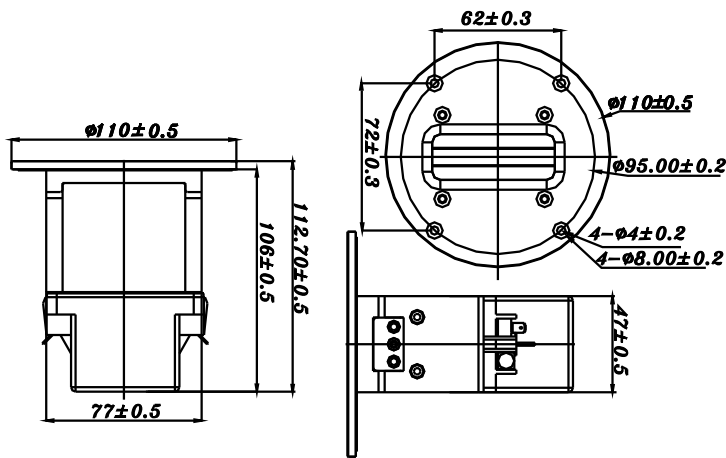


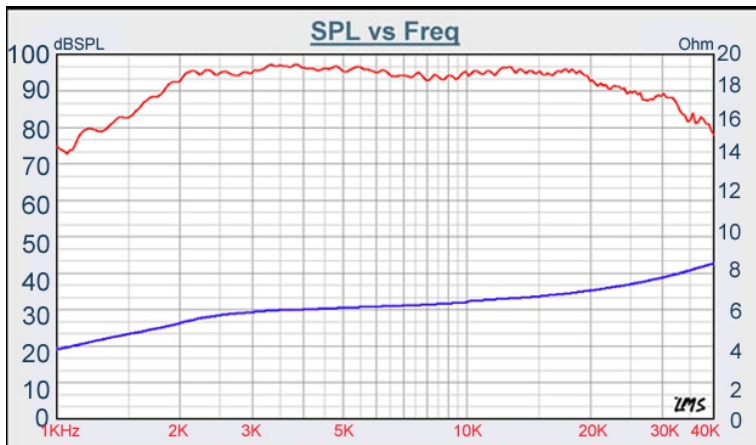
# TW SERIES

# RT-1516SB



- ALUMINUM FOIL, RIBBON DIAPHRAGM
- NEODYMIUM MAGNET, MATCHING TRANSFORMER
- HIGH SPL, 95dB/W/M
- FREQUENCY RESPONSE OF 2KHz TO 40KHz
- NEED INDIVIDUAL ENCLOSURE OR USE OPEN AIR DESIGN.

## RIBBON TWEETER



DIAPHRAGM MTL	Alum
SURROUND MTL	N/A
NOMINAL IMPEDANCE	6 $\Omega$
DCR IMPEDANCE	N/A
SENSITIVITY 1W/1M	95 dB
FREQUENCY RESPONSE	2KHz - 40K Hz
FREE AIR RESONANCE	N/A
VOICE COIL DIAMETER	8 mm
AIR GAP HEIGHT	2 mm
RATED POWER INPUT	8 W
MAXIMUM POWER INPUT	80 W
FORCE FACTOR, BL	N/A
TYPE OF MAGNET	Neodymium
MOVING MASS	N/A
FERROFLUID ENHANCED	NO
SUSPENSION COMPLIANCE	N/A
EFFECTIVE PISTON AREA	N/A
Levc	N/A
Zo	N/A
Xmax	N/A
Vas	N/A
Qts	N/A
Qms	N/A
Qes	N/A



VOICE: 886.2.26570282 FAX: 886.2.26580166  
E-MAIL: info@tb-speaker.com