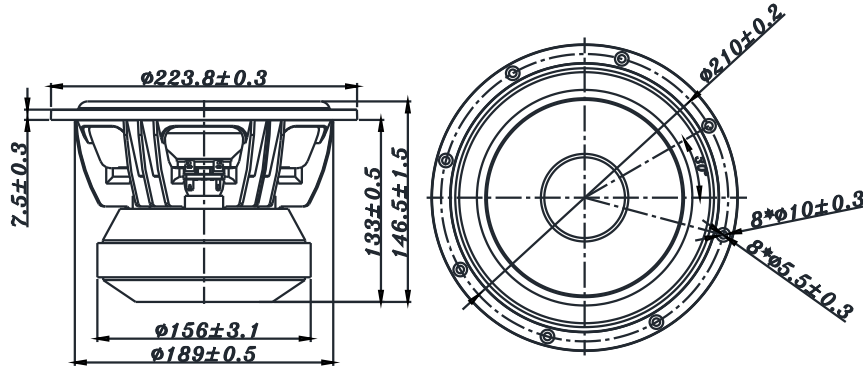


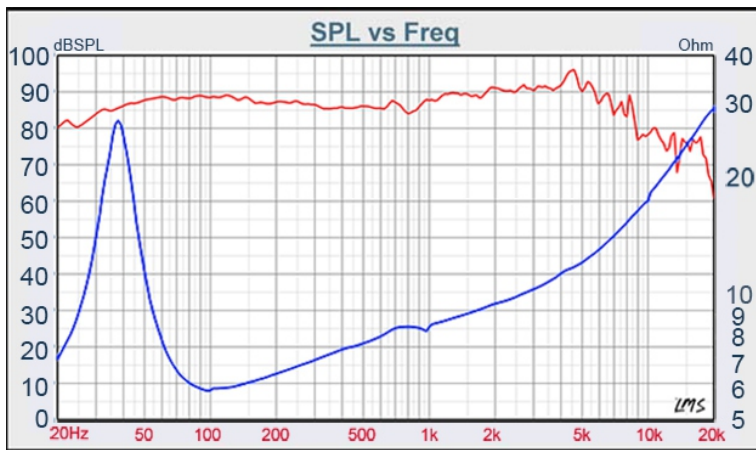
WF SERIES

W8-1722B



- HUGE FERRITE MAGNET, UNDER HUNG MOTOR DESIGN
- SHORT RING VC = 38.5mm
- VERY LOW 2nd AND 3rd DISTORTION (LOW THD)
- LONG THROW, HIGH POWER LOADING, X_{max} = 9mm
- COATED PAPER CONE WITH WIDE RANGE TEMPERATURE OF RUBBER SURROUND

8" PAPER WOOFER



DIAPHRAGM MTL	Paper
SURROUND MTL	Rubber
NOMINAL IMPEDANCE	4 Ω
DCR IMPEDANCE	3.6 Ω
SENSITIVITY 1W/1M	88 dB
FREQUENCY RESPONSE	35 -8K Hz
FREE AIR RESONANCE	35 Hz
VOICE COIL DIAMETER	38.5 mm
AIR GAP HEIGHT	25 mm
RATED POWER INPUT	60 W
MAXIMUM POWER INPUT	120 W
FORCE FACTOR, BL	6.24 TM
TYPE OF MAGNET	Ferrite
MOVING MASS	26.94 g
FERROFLUID ENHANCED	No
SUSPENSION COMPLIANCE	673.68 μMN^{-1}
EFFECTIVE PISTON AREA	0.022 M ²
Levc	0.115 mH
Zo	26 Ω
X _{max}	9 mm
Vas	46.30 Litr
Qts	0.51
Qms	3.92
Qes	0.58

VOICE:886.2.26570282 FAX:886.2.26580166
E-MAIL :info@tb-speaker.com