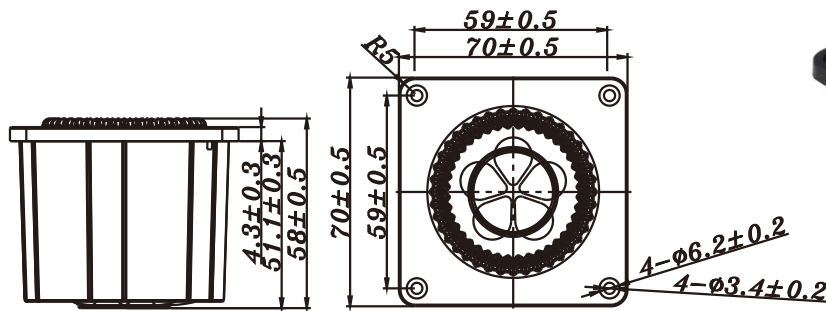


# MODULE

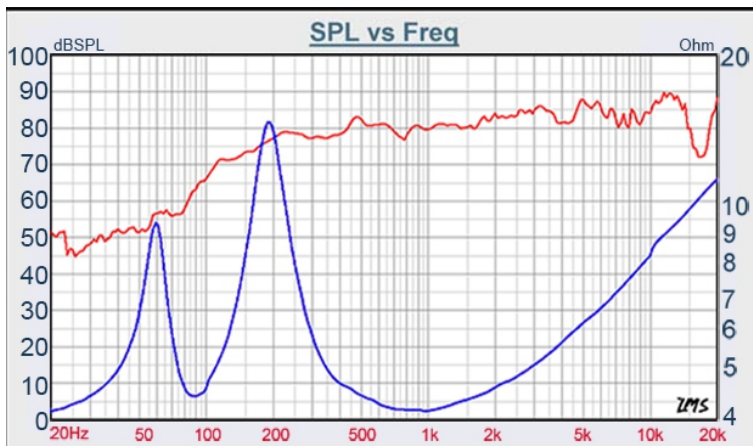
# T2-2136SA



- COMPREHENSIVE SOLUTION FOR AUDIO DESIGN.
- COMBINE DRIVER, PASSIVE RADIATOR AND BOX AS ONE UNIT, PATENTED.
- SLIM AND TINY, LOW BASS  $F_s = 80$  Hz.
- MODULE COULD BE RESHAPED TO FIT CUSTOMER'S APPLICATION.
- GOOD FOR PORTABLE DEVICES, SOUNDBAR, MULTIMEDIA...

## SYSTEM SPECIFICATION

SYSTEM	Passive radiator design
ACTIVE DRIVER	57x57mm inverted shape driver
DIAPHRAGM	Alum. composite with elastomer
HOUSING	PP composite material
FINISH	Black
DIMENSIONS	70 x 70 x 58mm
VOICE COIL DIAMETER	25.4 mm
IMPEDANCE	4 ohm
POWER LOADING	10 W (RMS)
MUSIC POWER	20 W
RESPONSE RANGE	80Hz - 20KHz
SENSITIVITY 1W/1m	80 dB
$F_s$	80 Hz
POWER RECOMMENDED	20W (RMS)
DESIGN SUGGESTION	High pass filter with 60Hz, -12dB/oct



**TB** SPEAKERS

VOICE:886.2.26570282 FAX:886.2.26580166  
E-MAIL :info@tb-speaker.com