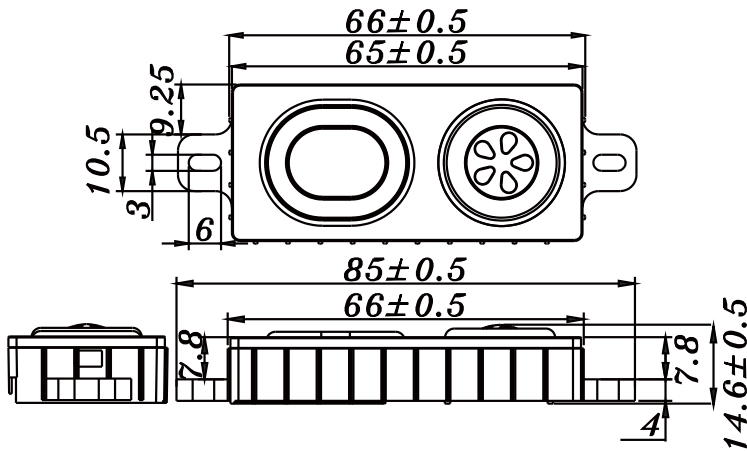


MODULE

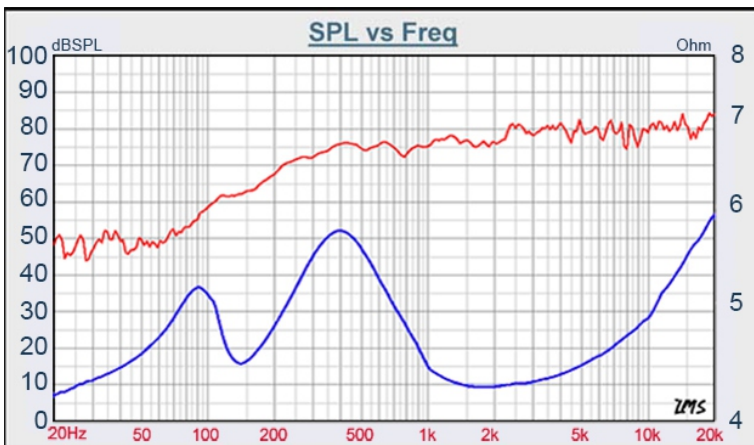
T1-1925S



- COMPREHENSIVE SOLUTION FOR AUDIO DESIGN.
- COMBINE DRIVER, PASSIVE RADIATOR AND BOX AS ONE UNIT, PATENTED.
- SLIM AND TINY, LOW BASS $F_s = 150$ Hz.
- MODULE COULD BE RESHAPED TO FIT CUSTOMER'S APPLICATION.
- GOOD FOR PORTABLE, SOUNDBAR, MULTIMEDIA... APPLICATION.

SYSTEM SPECIFICATION

SYSTEM	Passive radiator design
ACTIVE DRIVER	25mm dome shape driver
DIAPHRAGM	PP composite with elastomer
HOUSING	PP composite material
FINISH	Black
DIMENSIONS	85 x 29 x 14.6mm
VOICE COIL DIAMETER	13.28 mm
IMPEDANCE	4ohm
POWER LOADING	1 W(RMS)
MUSIC POWER	2 W
RESPONSE RANGE	150Hz - 20KHz
SENSITIVITY	76 dB (M / W)
F_s	150 Hz
POWER RECOMMENDED	2 W (RMS)
DESIGN SUGGESTION	High pass filter with 150 Hz, -12dB/oct



TB SPEAKERS

VOICE:886.2.26570282 FAX:886.2.26580166
E-MAIL :info@tb-speaker.com