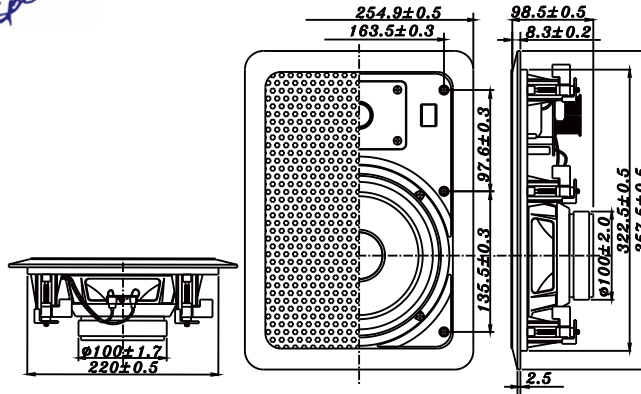




## IWO82-C

8" 二音路墙上喇叭



### Datasheet

Woofer	Silver plated glass fiber cone with rubber surround.
Tweeter	Alum./Magnesium alloy dome diaphragm With neodymium magnet system
Frequency Response	50 - 20 K Hz
Impedance	8 ohm (nominal), 6 ohm (min.)
Power Range (RMS)	10 - 90W
Sensitivity(1W/1m)	90dB
Adjustment	+/- 3dB treble level
Grilles	Metal
Dimensions(External)	358 x 255 x 98 (mm)
Cutout Dimension	323 x 220 (mm)