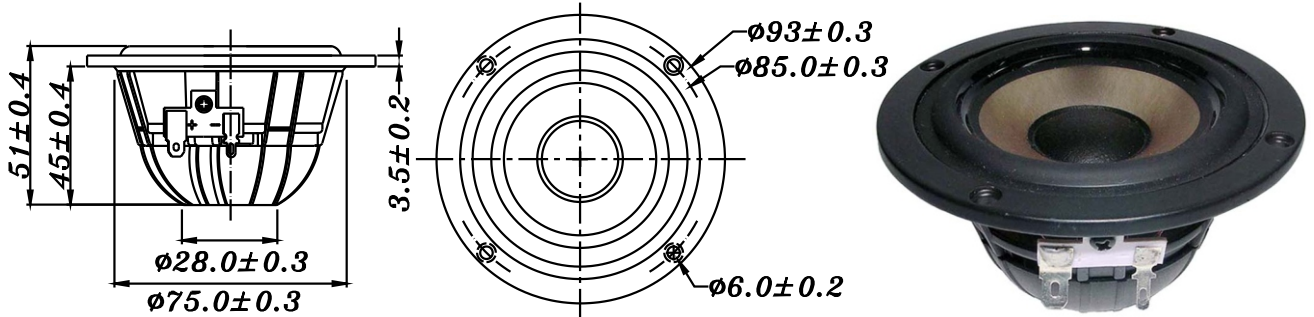


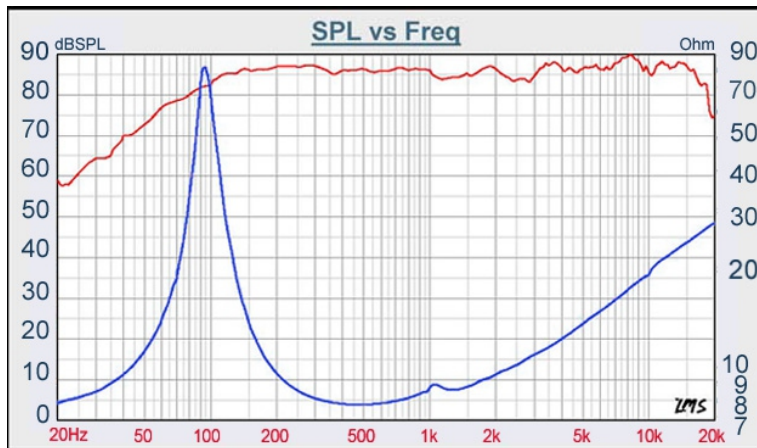
F SERIES

W3-881SJ



- NEODYMIUM MAGNET DESIGN
- FULL RANGE FREQUENCY RESPONSE
- DIE CAST BASKET
- PPM CONE WITH SANTOPRENE SURROUND
- MAGNETICALLY SHIELDED

3" PPM FULL RANGE



DIAPHRAGM MTL	Natural color PPM
SURROUND MTL	Santoprene
NOMINAL IMPEDANCE	8 Ω
DCR IMPEDANCE	6.6 Ω
SENSITIVITY 1W/1m	86 dB
FREQUENCY RESPONSE	100 - 20K Hz
FREE AIR RESONANCE	100 Hz
VOICE COIL DIAMETER	20.4 mm
AIR GAP HEIGHT	6.0 mm
RATED POWER INPUT	15 W
MAXIMUM POWER INPUT	30 W
FORCE FACTOR, BL	3.32 TM
TYPE OF MAGNET	Neodymium
MOVING MASS	1.745 g
FERROFLUID ENHANCED	No
SUSPENSION COMPLIANCE	1596 μMN^{-1}
EFFECTIVE PISTON AREA	0.0032 M^2
Levc	0.083 mH
Zo	85 Ω
X-max	0.2 mm
Vas	2.31 Liter
Qts	0.58
Qms	7.19
Qes	0.62

TB SPEAKERS

VOICE:886.2.26570282 FAX:886.2.26580166
E-MAIL :info@tb-speaker.com