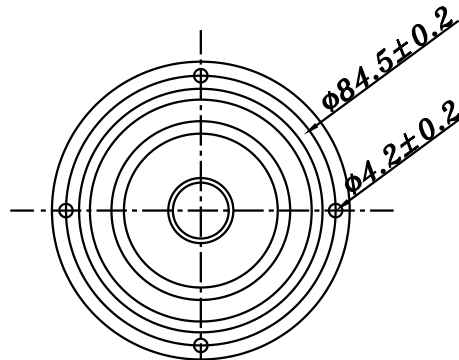
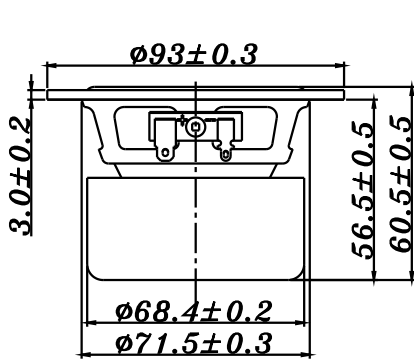


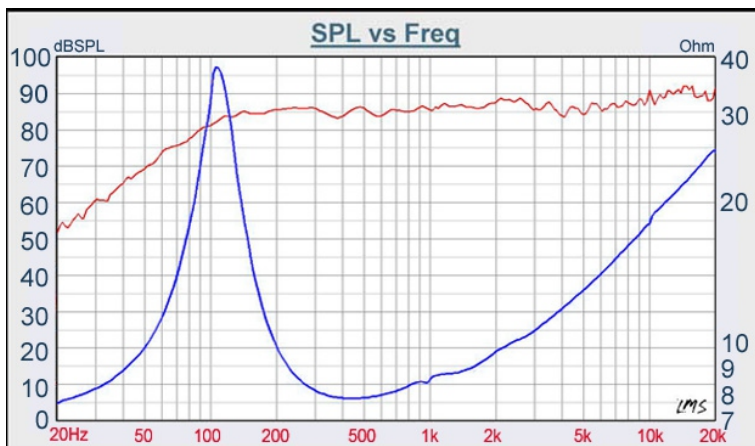
F SERIES

W3-871SC



- FULL RANGE FREQUENCY RESPONSE
- ROUND STAMPING STEEL BASKET
- ALUM. PHASE PLUG
- PAPER CONE WITH SANTOPRENE SURROUND
- MAGNETICALLY SHIELDED
- ALUMINUM PHASE PLUG COOLING

3" PAPER FULL RANGE



DIAPHRAGM MTL	Silver Paper
SURROUND MTL	Santoprene
NOMINAL IMPEDANCE	8 Ω
DCR IMPEDANCE	6.6 Ω
SENSITIVITY 1W/1m	86 dB
FREQUENCY RESPONSE	110 - 20K Hz
FREE AIR RESONANCE	110 Hz
VOICE COIL DIAMETER	18 mm
AIR GAP HEIGHT	6 mm
RATED POWER INPUT	12 W
MAXIMUM POWER INPUT	25 W
FORCE FACTOR, BL	3.51 TM
TYPE OF MAGNET	Ferrite
MOVING MASS	2 g
FERROFLUID ENHANCED	No
SUSPENSION COMPLIANCE	1133 μMN ⁻¹
EFFECTIVE PISTON AREA	0.0032 M ²
Levc	0.75 mH
Zo	38 Ω
X-max	0.50 mm
Vas	1.65 Litr
Qts	0.59
Qms	3.40
Qes	0.71

VOICE:886.2.26570282 FAX:886.2.26580166
E-MAIL :info@tb-speaker.com