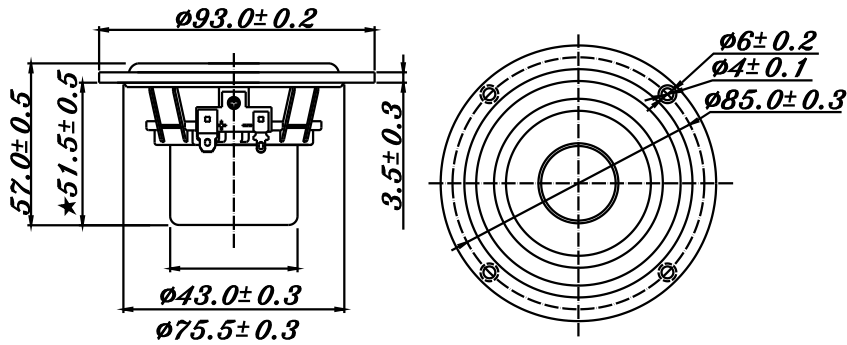


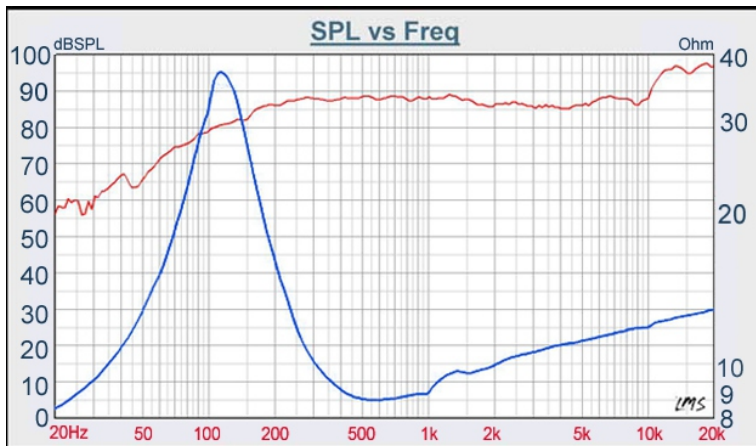
F SERIES

W3-1318SA



- FULL RANGE FREQUENCY RESPONSE
- HIGH POWER LOADING DESIGN
- DIE CAST BASKET, VC VENTED DESIGN
- BAMBOO FIBER PAPER CONE WITH SANTOPRENE SURROUND
- MAGNETICALLY SHIELDED
- UNDERHUNG MOTOR DESIGN
- LOW 2nd, 3rd DISTORTION DESIGN

3" PAPER FULL RANGE



DIAPHRAGM MTL	Paper
SURROUND MTL	Santoprene
NOMINAL IMPEDANCE	8 Ω
DCR IMPEDANCE	6.6 Ω
SENSITIVITY 1W/1m	87 dB
FREQUENCY RESPONSE	100 - 20K Hz
FREE AIR RESONANCE	100 Hz
VOICE COIL DIAMETER	25.4 mm
AIR GAP HEIGHT	8 mm
RATED POWER INPUT	15 W
MAXIMUM POWER INPUT	30 W
FORCE FACTOR, BL	5.32 TM
TYPE OF MAGNET	Neodymium
MOVING MASS	2.50 g
FERROFLUID ENHANCED	No
SUSPENSION COMPLIANCE	845.68 μMN^{-1}
EFFECTIVE PISTON AREA	0.0032 M^2
Levc	0.013 mH
Zo	27 Ω
X-max	0.4 mm
Vas	1.23 Liter
Qts	0.31
Qms	1.37
Qes	0.40



VOICE: 886.2.26570282 FAX: 886.2.26580166
E-MAIL: info@tb-speaker.com