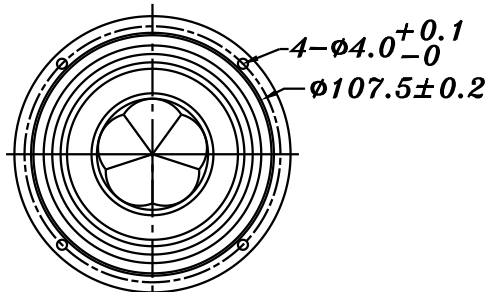
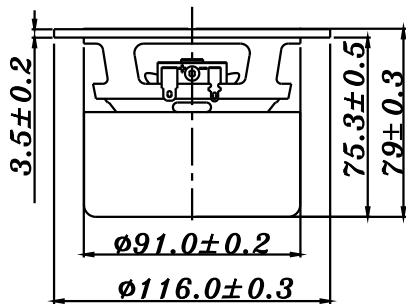


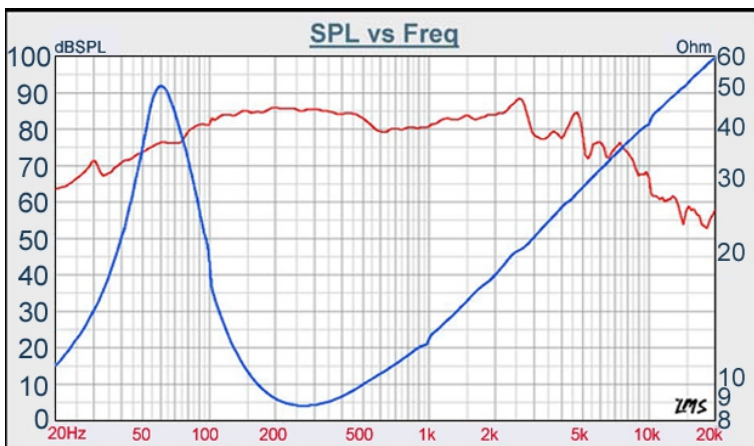
SU SERIES

W4-992SD



- LONG THROW HIGH POWER LOADING DESIGN
- EXTREMELY LINEAR EXCURSION DESIGN
- PAPER CONE WITH TWIN ROLL RUBBER SURROUND
- SUITABLE FOR MINISUBWOOFER APPLICATION
- STAMPED STEEL BASKET, CONEX SPIDER
- VENTED POLE PIECE
- MAGNETICALLY SHIELDED

4" PAPER SUBWOOFER



DIAPHRAGM MTL	Paper
SURROUND MTL	Rubber w shape
NOMINAL IMPEDANCE	8 Ω
DCR IMPEDANCE	7 Ω
SENSITIVITY 1W/1m	85 dB
FREQUENCY RESPONSE	55 - 3 K Hz
FREE AIR RESONANCE	55 Hz
VOICE COIL DIAMETER	25 mm
AIR GAP HEIGHT	6 mm
RATED POWER INPUT	28 W
MAXIMUM POWER INPUT	56 W
FORCE FACTOR, BL	6.43 TM
TYPE OF MAGNET	Ferrite
MOVING MASS	7 g
FERROFLUID ENHANCED	No
SUSPENSION COMPLIANCE	1239 μMN^{-1}
EFFECTIVE PISTON AREA	0.0057 M^2
Levc	0.87 mH
Zo	58.34 Ω
X-max	3.5 mm
Vas	5.72 Litr
Qts	0.35
Qms	2.93
Qes	0.40

VOICE:886.2.26570282 FAX:886.2.26580166
E-MAIL :info@tb-speaker.com