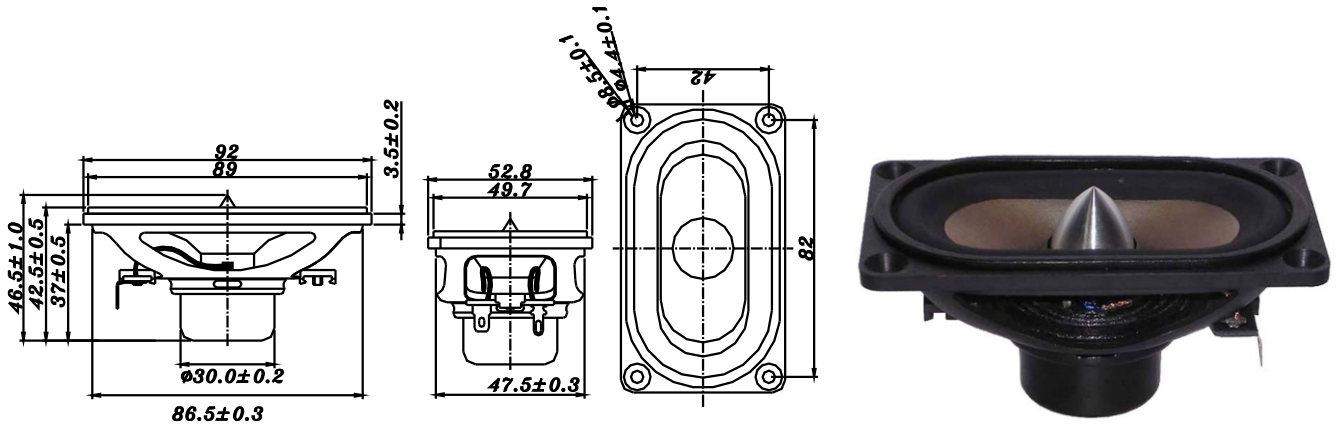


F SERIES

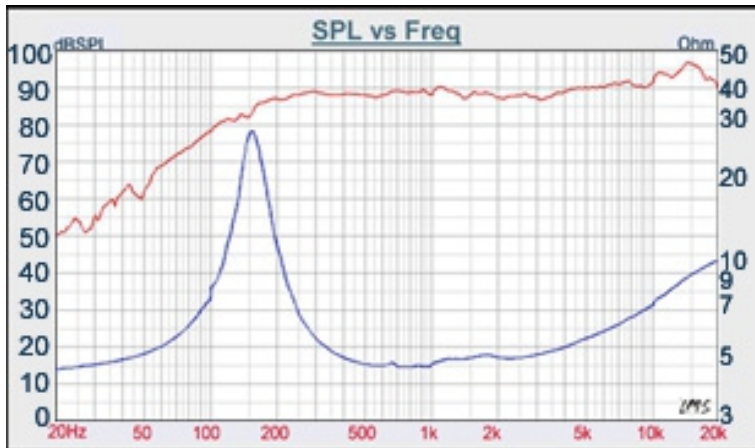
W23-1287SI



- FULL RANGE DESIGN
- ABS BASKET, NEODYMIUM DESIGN
- ALUMINIUM PHASE PLUG COOLING
- PPM CONE WITH SANTOPRENE SURROUND
- GOOD FOR CAR, HOME THEATER, MULTIMEDIA APPLICATION
- MAGNETICALLY SHIELDED

2*3" PPM FULL RANGE

DIAPHRAGM MTL	Natural color PPM
SURROUND MTL	Santoprene
NOMINAL IMPEDANCE	4 Ω
DCR IMPEDANCE	3.6 Ω
SENSITIVITY 1W/1m	88 dB
FREQUENCY RESPONSE	150-20 K Hz
FREE AIR RESONANCE	150 Hz
VOICE COIL DIAMETER	18.4 mm
AIR GAP HEIGHT	3 mm
RATED POWER INPUT	12 W
MAXIMUM POWER INPUT	24 W
FORCE FACTOR, BL	2.65 TM
TYPE OF MAGNET	Neodymium
MOVING MASS	1.53 g
FERROFLUID ENHANCED	No
SUSPENSION COMPLIANCE	729.978 μMN^{-1}
EFFECTIVE PISTON AREA	0.0029 M^2
Levc	0.028 mH
Zo	27 Ω
X-max	0.9 mm
Vas	0.87 Liter
Qts	0.6
Qms	4.42
Qes	0.69



TB SPEAKERS

VOICE:886.2.26570282 FAX:886.2.26580166
E-MAIL :info@tb-speaker.com