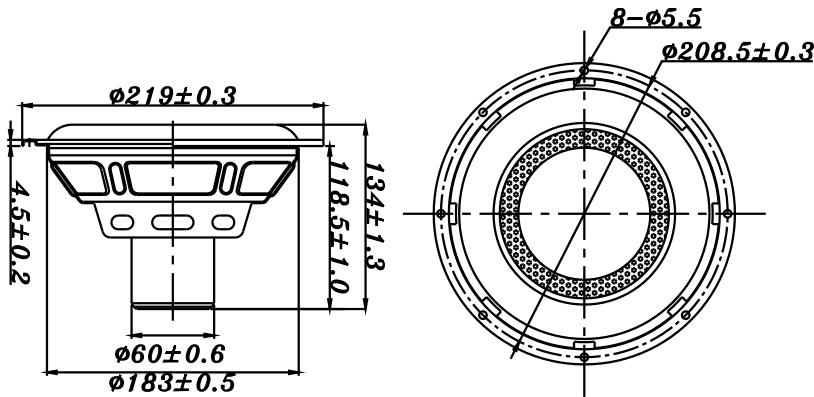


SU SERIES

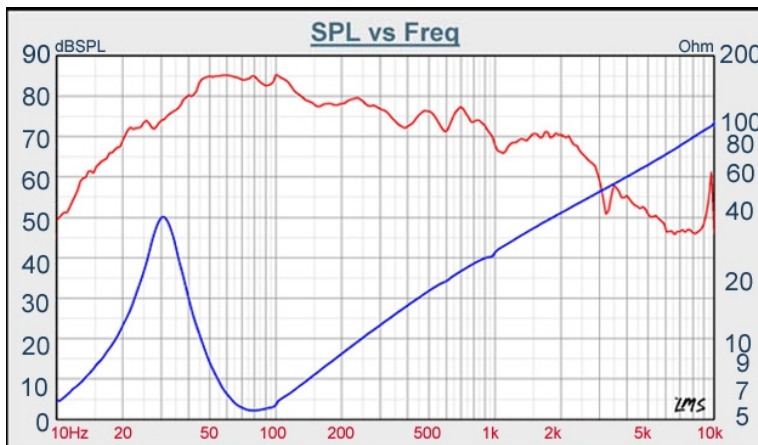
W8-1363SB



- LONG-THROW HIGH-POWER LOADING DESIGN (X-max=12mm)
- PAPER CONE WITH BIG ROLL, SPECIAL LESS DAMPING, WIDE RANGE TEMPERATURE RUBBER SURROUND
- VENTED POLE PIECE, NEODYMIUM MAGNET DESIGN
- STAMPING STEEL BASKET
- SUITABLE FOR SUBWOOFER APPLICATION
- MAGNETICALLY SHIELDED

8" PAPER SUBWOOFER

DIAPHRAGM MTL	Paper
SURROUND MTL	Rubber
NOMINAL IMPEDANCE	4 Ω
DCR IMPEDANCE	3.2 Ω
SENSITIVITY 1W/1m	84 dB
FREQUENCY RESPONSE	30 - 800 Hz
FREE AIR RESONANCE	30 Hz
VOICE COIL DIAMETER	49.5 mm
AIR GAP HEIGHT	8 mm
RATED POWER INPUT	150 W
MAXIMUM POWER INPUT	300 W
FORCE FACTOR, BL	13.94 TM
TYPE OF MAGNET	Neodymium
MOVING MASS	99.78 g
FERROFLUID ENHANCED	No
SUSPENSION COMPLIANCE	223.52 μMN^{-1}
EFFECTIVE PISTON AREA	0.022 M^2
Levc	0.687 mH
Zo	36 Ω
X-max	12 mm
Vas	15.36 Litr
Qts	0.32
Qms	3.70
Qes	0.35



TB SPEAKERS

VOICE: 886.2.26570282 FAX: 886.2.26580166
E-MAIL: info@tb-speaker.com