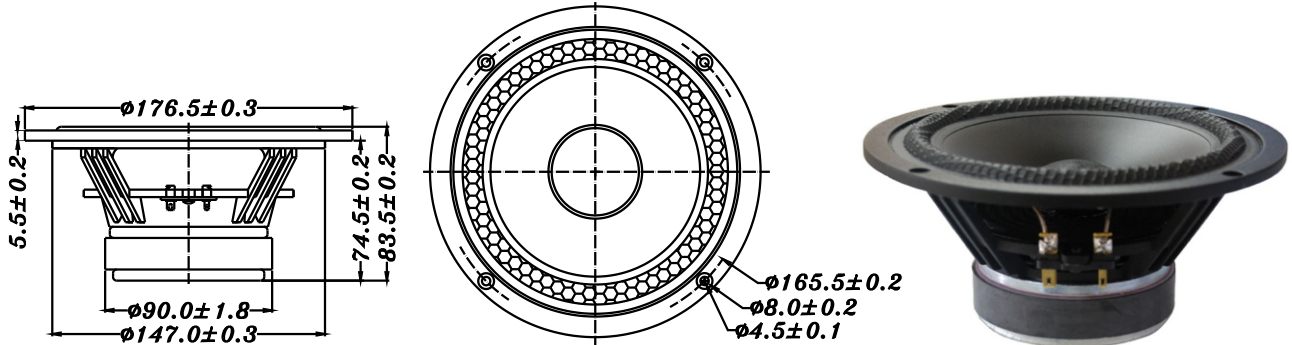


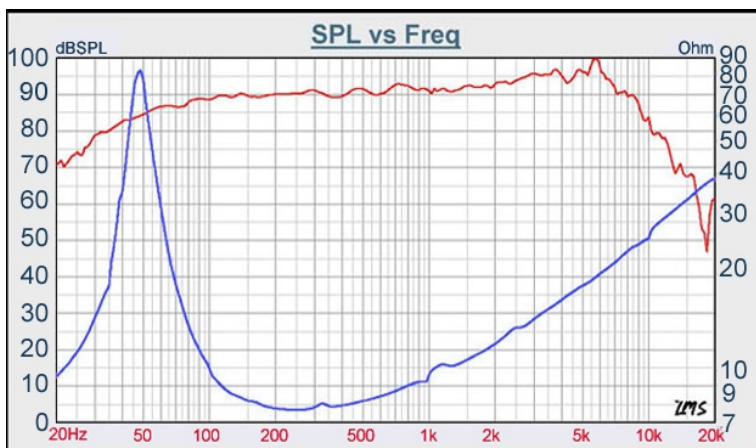
# PM SERIES

# W6-789E



- PPM CONE WITH STRUCTURED SANTOPRENE SURROUND
- DIE CAST BASKET
- INTENDED FOR BASS REFLEX ENCLOSURES
- VENTED POLE PIECE
- HIGH SENSITIVITY DESIGN (SPL=92dB)

## 6.5" PPM. WOOFER



DIAPHRAGM MTL	PPM
SURROUND MTL	Structured Santoprene
NOMINAL IMPEDANCE	8 Ω
DCR IMPEDANCE	6 Ω
SENSITIVITY 1W/1m	92 dB
FREQUENCY RESPONSE	50 - 10K Hz
FREE AIR RESONANCE	50 Hz
VOICE COIL DIAMETER	25.4 mm
AIR GAP HEIGHT	6 mm
RATED POWER INPUT	15 W
MAXIMUM POWER INPUT	30 W
FORCE FACTOR, BL	5.13 TM
TYPE OF MAGNET	Ferrite
MOVING MASS	7 g
FERROFLUID ENHANCED	No
SUSPENSION COMPLIANCE	1492 $\mu\text{MN}^{-1}$
EFFECTIVE PISTON AREA	0.014 M <sup>2</sup>
Levc	0.128 mH
Zo	85 Ω
X-max	4.25 mm
Vas	41.53 Litr
Qts	0.46
Qms	6.32
Qes	0.50



VOICE:886.2.26570282 FAX:886.2.26580166  
E-MAIL :info@tb-speaker.com