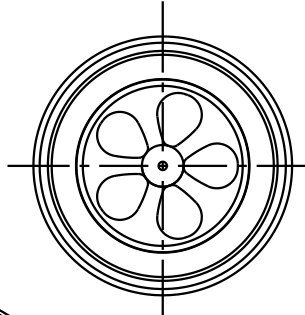
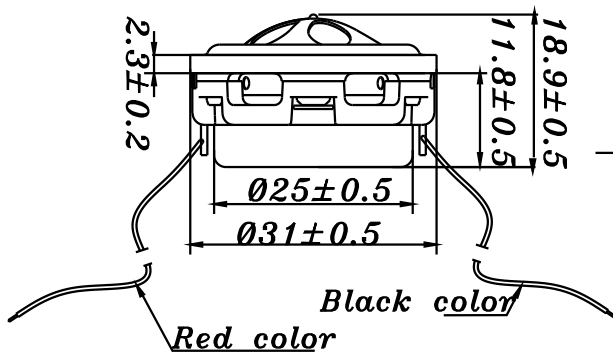


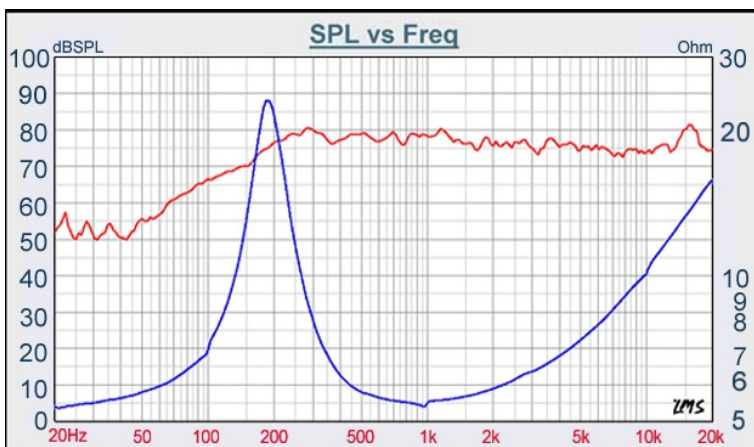
F SERIES

W1-1931S



- THE HIGHEST PERFORMANCE OF INNOVATIVE, TINY FULL RANGE DRIVER DESIGN
- OUTSIDE DIAMETER OF 31mm, Fo:170Hz
- PP CONE WITH SANTOPRENE SURROUND
- NEODYMIUM MOTOR SYSTEM
- PATENTED PRODUCT WITH EXCELLENT CONSISTENCY
- IT'S GOOD FOR MULTIMEDIA APPLICATION

1" PP CONE, FULL RANGE



DIAPHRAGM MTL	Mineral filled pp
SURROUND MTL	Santoprene
NOMINAL IMPEDANCE	4 Ω
DCR IMPEDANCE	3.6 Ω
SENSITIVITY 1W/1m	76 dB
FREQUENCY RESPONSE	170-20K Hz
FREE AIR RESONANCE	170 Hz
VOICE COIL DIAMETER	19.4 mm
AIR GAP HEIGHT	1.5 mm
RATED POWER INPUT	2 W
MAXIMUM POWER INPUT	4 W
FORCE FACTOR, BL	2.6 TM
TYPE OF MAGNET	Neodymium
MOVING MASS	0.87 g
FERROFLUID ENHANCED	YES
SUSPENSION COMPLIANCE	853.43 μMN ⁻¹
EFFECTIVE PISTON AREA	0.00045 M ²
Levc	0.06 mH
Zo	23 Ω
X-max	1.2 mm
Vas	0.02 Litr
Qts	0.46
Qms	3.11
Qes	0.54



VOICE:886.2.26570282 FAX:886.2.26580166
E-MAIL :info@tb-speaker.com