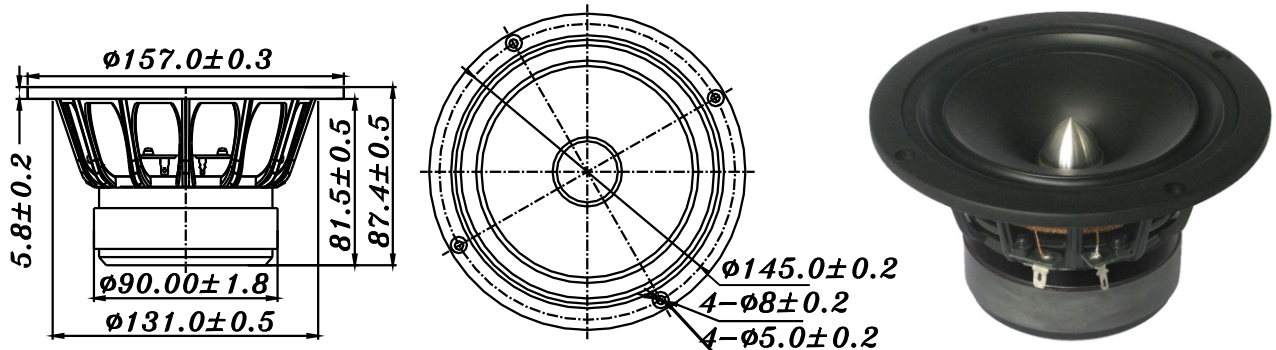


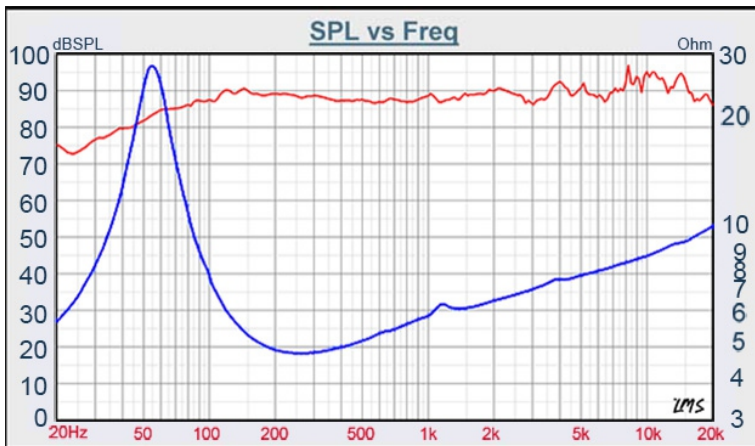
# F SERIES

# W5-1611SDF



- FULL RANGE DESIGN
- BLACK COLOR PP CONE WITH WIDE RANGE TEMPERATURE, HIGH LOSS RECIPE OF RUBBER SURROUND
- UNDERHUNG MOTOR DESIGN
- GF REINFORCED NYLON BASKET

## 5" PP FULL RANGE



DIAPHRAGM MTL	Black color pp
SURROUND MTL	Rubber
NOMINAL IMPEDANCE	4 Ω
DCR IMPEDANCE	3.6 Ω
SENSITIVITY 1W/1M	89 dB
FREQUENCY RESPONSE	60 - 20K Hz
FREE AIR RESONANCE	60 Hz
VOICE COIL DIAMETER	25.4 mm
AIR GAP HEIGHT	10 mm
RATED POWER INPUT	28 W
MAXIMUM POWER INPUT	56 W
FORCE FACTOR, BL	4.3 TM
TYPE OF MAGNET	Ferrite
MOVING MASS	6.99 g
FERROFLUID ENHANCED	No
SUSPENSION COMPLIANCE	1211 $\mu\text{MN}^{-1}$
EFFECTIVE PISTON AREA	0.0094 M <sup>2</sup>
Levc	0.018 mh
Zo	30 Ω
X-max	3 mm
Vas	15.20 Litr
Qts	0.41
Qms	3.17
Qes	0.47



VOICE: 886.2.26570282 FAX: 886.2.26580166  
E-MAIL: info@tb-speaker.com