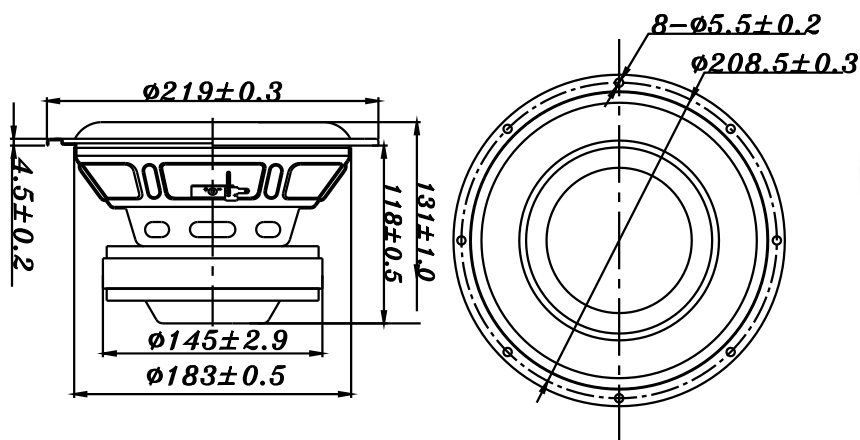


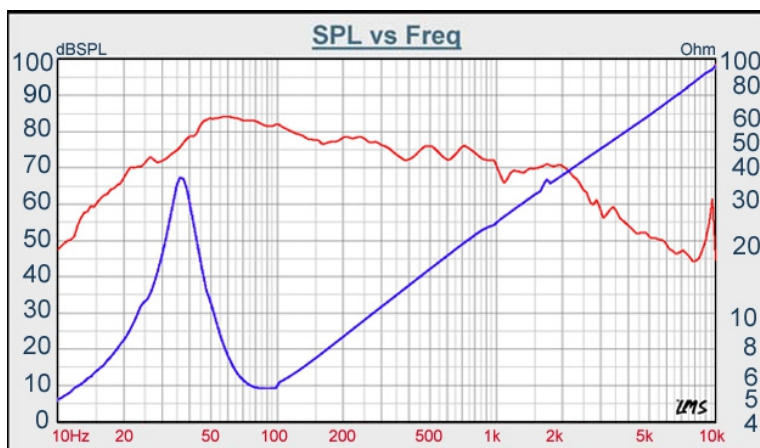
# SU SERIES

# W8-1363SBF



- LONG-THROW HIGH-POWER LOADING DESIGN (X-max=12mm)
- PAPER CONE WITH BIG ROLL, SPECIAL LESS DAMPING, WIDE RANGE TEMPERATURE RUBBER SURROUND
- VENTED POLE PIECE,
- STAMPING STEEL BASKET
- SUITABLE FOR SUBWOOFER APPLICATION

## 8" PAPER SUBWOOFER



DIAPHRAGM MTL	Paper
SURROUND MTL	Rubber
NOMINAL IMPEDANCE	4 $\Omega$
DCR IMPEDANCE	3.2 $\Omega$
SENSITIVITY 1W/1m	83 dB
FREQUENCY RESPONSE	32 - 800 Hz
FREE AIR RESONANCE	32 Hz
VOICE COIL DIAMETER	49.5 mm
AIR GAP HEIGHT	8 mm
RATED POWER INPUT	150 W
MAXIMUM POWER INPUT	300 W
FORCE FACTOR, BL	13.03 TM
TYPE OF MAGNET	Ferrite
MOVING MASS	99.78 g
FERROFLUID ENHANCED	No
SUSPENSION COMPLIANCE	194.54 $\mu\text{MN}^{-1}$
EFFECTIVE PISTON AREA	0.022 M <sup>2</sup>
Levc	0.82 mH
Zo	38 $\Omega$
X-max	12 mm
Vas	13.37 Litr
Qts	0.39
Qms	4.26
Qes	0.43

VOICE:886.2.26570282 FAX:886.2.26580166  
E-MAIL :info@tb-speaker.com