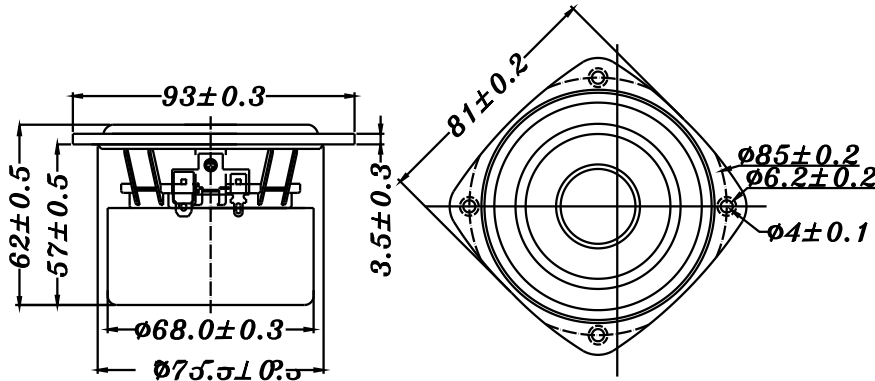


F SERIES

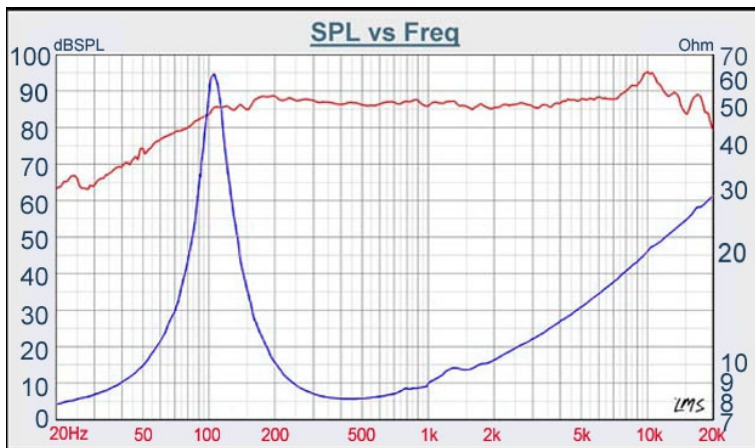
W3-583SE



- FULL RANGE FREQUENCY RESPONSE
- DIE CAST BASKET
- PAPER CONE WITH SANTOPRENE SURROUND
- MAGNETICALLY SHIELDED
- CCAW WITH KAPTON BOBBIN

3" PAPER CONE/ FULL RANGE

DIAPHRAGM MTL	Paper
SURROUND MTL	Santoprene
NOMINAL IMPEDANCE	8 Ω
DCR IMPEDANCE	6.6 Ω
SENSITIVITY 1W/1m	87 dB
FREQUENCY RESPONSE	100 - 20K Hz
FREE AIR RESONANCE	100 Hz
VOICE COIL DIAMETER	20.4 mm
AIR GAP HEIGHT	6 mm
RATED POWER INPUT	12 W
MAXIMUM POWER INPUT	25 W
FORCE FACTOR, BL	2.99 TM
TYPE OF MAGNET	Ferrite
MOVING MASS	1.54 g
FERROFLUID ENHANCED	No
SUSPENSION COMPLIANCE	1689 μMN^{-1}
EFFECTIVE PISTON AREA	0.0032 M^2
Levc	0.051 mH
Zo	32.5 Ω
X-max	0.25 mm
Vas	2.46 Litr
Qts	0.56
Qms	2.75
Qes	0.70



TB SPEAKERS

VOICE: 886.2.26570282 FAX: 886.2.26580166
E-MAIL: info@tb-speaker.com