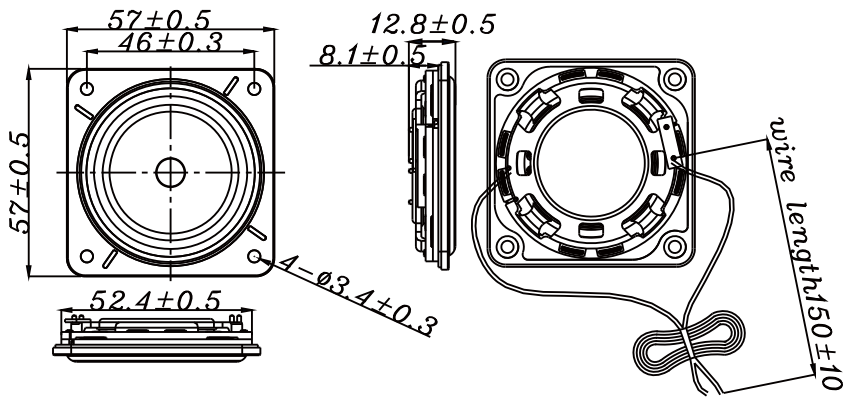


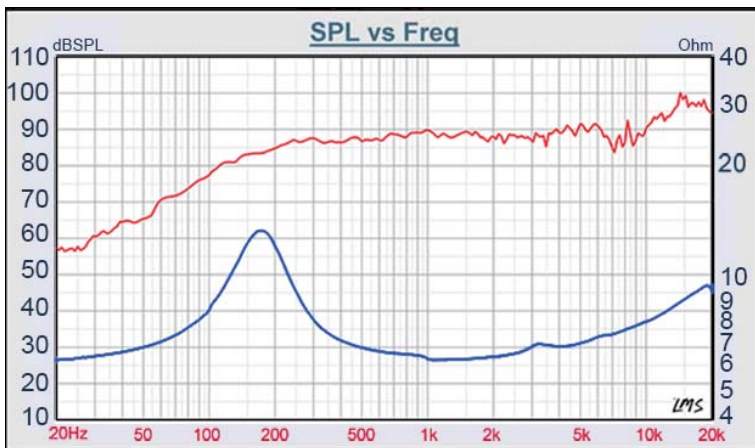
F SERIES

W2-2360S



- EXTREMELY SLIM 2" MID-HIGH DRIVER, BUILT WITH MOST INNOVATIVE AND HIGHEST PERFORMANCE DESIGN
- PPM INJECTION CONE WITH TPV SURROUND, NEODYMIUM MAGNET SYSTEM
- PATENTED PRODUCT WITH EXCELLENT CONSISTENCY
- BEST FOR LIMITED SPACE AND NEED GOOD SOUND APPLICATION

2" PPM, MID-HIGH



DIAPHRAGM MTL	Mineral filled pp
SURROUND MTL	Santoprene
NOMINAL IMPEDANCE	4 Ω
DCR IMPEDANCE	3.6 Ω
SENSITIVITY 1W/1m	86 dB
FREQUENCY RESPONSE	170 -20K Hz
FREE AIR RESONANCE	170 Hz
VOICE COIL DIAMETER	25.4 mm
AIR GAP HEIGHT	1.5 mm
RATED POWER INPUT	6 W
MAXIMUM POWER INPUT	12 W
FORCE FACTOR, BL	3.00 TM
TYPE OF MAGNET	Neodymium
MOVING MASS	1.0 g
FERROFLUID ENHANCED	YES
SUSPENSION COMPLIANCE	857.41 uMN ⁻¹
EFFECTIVE PISTON AREA	0.0015 M ²
Levc	0.007 mH
Zo	15 Ω
X-max	1 mm
Vas	0.27 Litr
Qts	0.32
Qms	1.16
Qes	0.43



VOICE:886.2.26570282 FAX:886.2.26580166
E-MAIL :info@tb-speaker.com