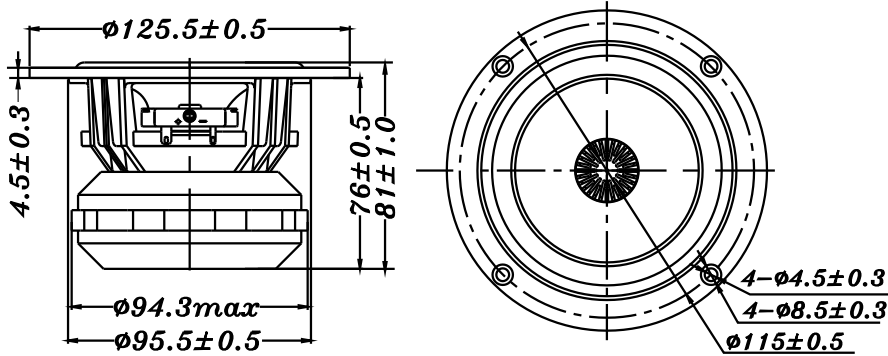


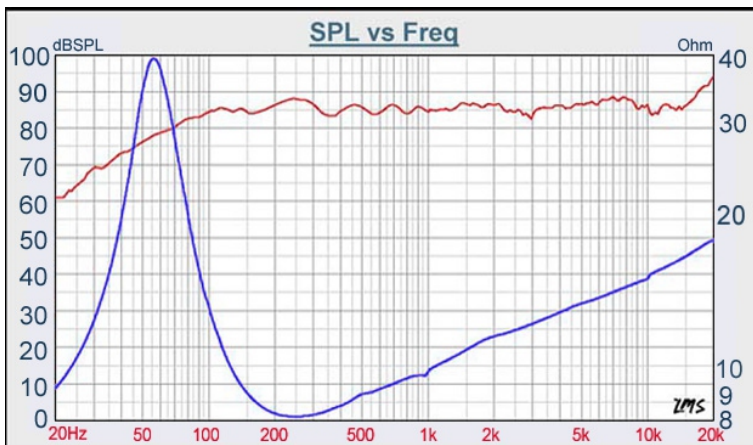
F SERIES

W4-1879



- FULL RANGE DESIGN
- UNDERHUNG MOTOR DESIGN WITH NEO MAGNET, $X_{max} = 5\text{mm}$
- VERY LOW THD (2nd AND 3rd HARMONIC DISTORTION)
- UNIQUE PHASE PLUG FOR BETTER DISPERSION
- BAMBOO FIBER PAPER CONE WITH DURABLE FOAM RUBBER SURROUND

4" PAPER FULL RANGE



DIAPHRAGM MTL	Paper
SURROUND MTL	Foam Rubber
NOMINAL IMPEDANCE	8 Ω
DCR IMPEDANCE	6.3 Ω
SENSITIVITY 1W/1m	87 dB
FREQUENCY RESPONSE	55 - 20K Hz
FREE AIR RESONANCE	55 Hz
VOICE COIL DIAMETER	25.4 mm
AIR GAP HEIGHT	15 mm
RATED POWER INPUT	25 W
MAXIMUM POWER INPUT	50 W
FORCE FACTOR, BL	4.19 TM
TYPE OF MAGNET	Neodymium
MOVING MASS	4.0 g
FERROFLUID ENHANCED	No
SUSPENSION COMPLIANCE	1977 μMN^{-1}
EFFECTIVE PISTON AREA	0.0057 M^2
Levc	0.025 mH
Zo	39 Ω
X-max	5.0 mm
Vas	9.12 Liter
Qts	0.43
Qms	2.68
Qes	0.51

TB SPEAKERS

VOICE: 886.2.26570282 FAX: 886.2.26580166
E-MAIL: info@tb-speaker.com