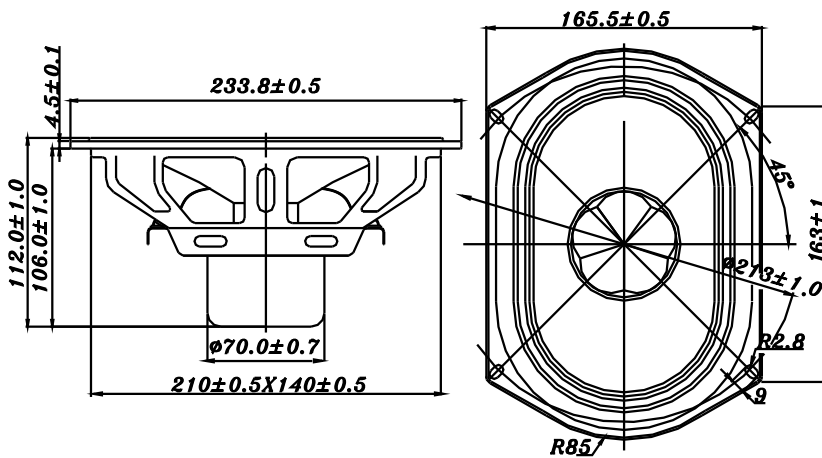


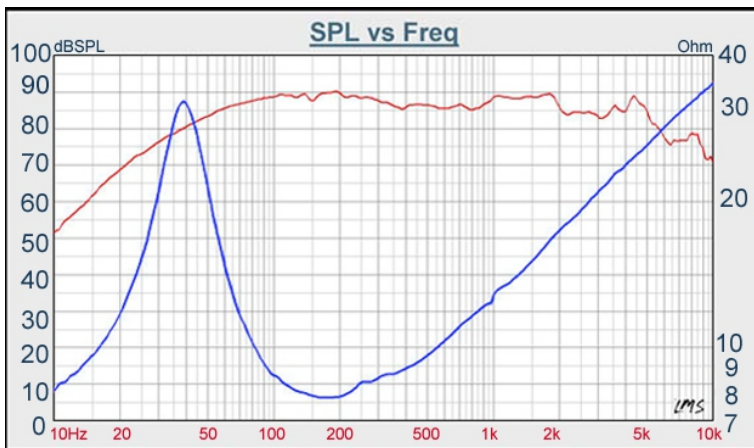
PA SERIES

W69-1213SB



- LONG THROW HIGH POWER LOADING DESIGN
- OVAL SHAPE PAPER CONE WITH TWIN ROLL RUBBER SURROUND
- NEODYMIUM MOTOR DESIGN, VENTED POLE PIECE
- STAMPED STEEL BASKET, MAGNETIC SHIELDED
- SUITABLE FOR MID BASS APPLICATION
- VERY SMOOTH FREQUENCY RESPONSE

6*9" PAPER WOOFER



| | |
|-----------------------|-----------------------------|
| DIAPHRAGM MTL | Paper |
| SURROUND MTL | Rubber W Sahpe |
| NOMINAL IMPEDANCE | 8 Ω |
| DCR IMPEDANCE | 6.5 Ω |
| SENSITIVITY 1W/1m | 89 dB |
| FREQUENCY RESPONSE | 40 - 5.5 K Hz |
| FREE AIR RESONANCE | 40 Hz |
| VOICE COIL DIAMETER | 38.5 mm |
| AIR GAP HEIGHT | 14 mm |
| RATED POWER INPUT | 60 W |
| MAXIMUM POWER INPUT | 120 W |
| FORCE FACTOR, BL | 8.3 TM |
| TYPE OF MAGNET | Neodymium |
| MOVING MASS | 23 g |
| FERROFLUID ENHANCED | No |
| SUSPENSION COMPLIANCE | 684.522 μMN^{-1} |
| EFFECTIVE PISTON AREA | 0.0226 M^2 |
| Levc | 0.81 mH |
| Zo | 33.7 Ω |
| X-max | 4.5 mm |
| Vas | 49.6 Litr |
| Qts | 0.44 |
| Qms | 2.28 |
| Qes | 0.55 |



VOICE:886.2.26570282 FAX:886.2.26580166
E-MAIL :info@tb-speaker.com