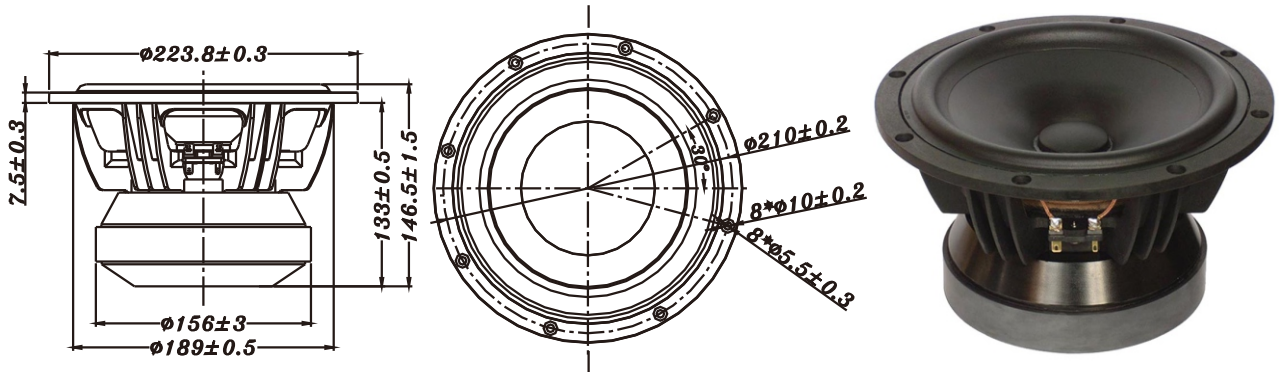


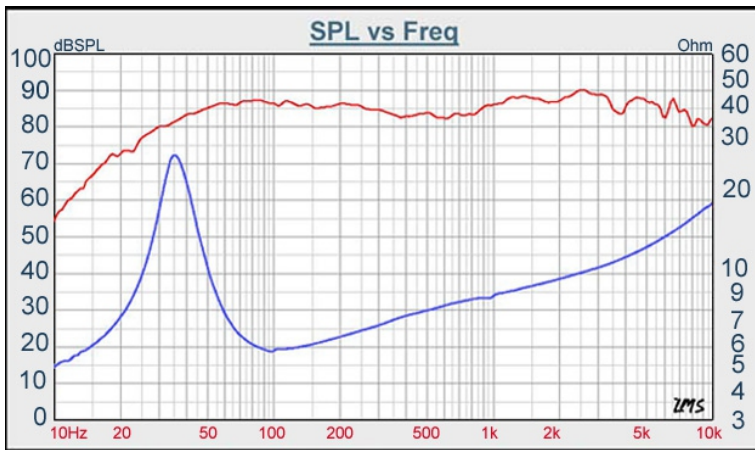
WF SERIES

W8-1722



- HUGE FERRITE MAGNET, UNDER HUNG MOTOR DESIGN
- SHORT RING VC = 38mm
- VERY LOW 2nd AND 3rd DISTORTION (LOW THD)
- LONG THROW, HIGH POWER LOADING, X_{max} = 9mm
- COATED PAPER CONE WITH WIDE RANGE TEMPERATURE OF FOAM RUBBER SURROUND

8" PAPER WOOFER



DIAPHRAGM MTL	Paper
SURROUND MTL	Foam Rubber
NOMINAL IMPEDANCE	4 Ω
DCR IMPEDANCE	3.6 Ω
SENSITIVITY 1W/1M	88 dB
FREQUENCY RESPONSE	35 -3.5K Hz
FREE AIR RESONANCE	35 Hz
VOICE COIL DIAMETER	38.5 mm
AIR GAP HEIGHT	25 mm
RATED POWER INPUT	60 W
MAXIMUM POWER INPUT	120 W
FORCE FACTOR, BL	6.01 TM
TYPE OF MAGNET	Ferrite
MOVING MASS	25.94 g
FERROFLUID ENHANCED	No
SUSPENSION COMPLIANCE	802.038 uMN ⁻¹
EFFECTIVE PISTON AREA	0.022 M ²
Levc	0.111 mH
Zo	26 Ω
X _{max}	8.50 mm
Vas	55.12 Litr
Qts	0.49
Qms	3.56
Qes	0.57



VOICE:886.2.26570282 FAX:886.2.26580166
E-MAIL :info@tb-speaker.com