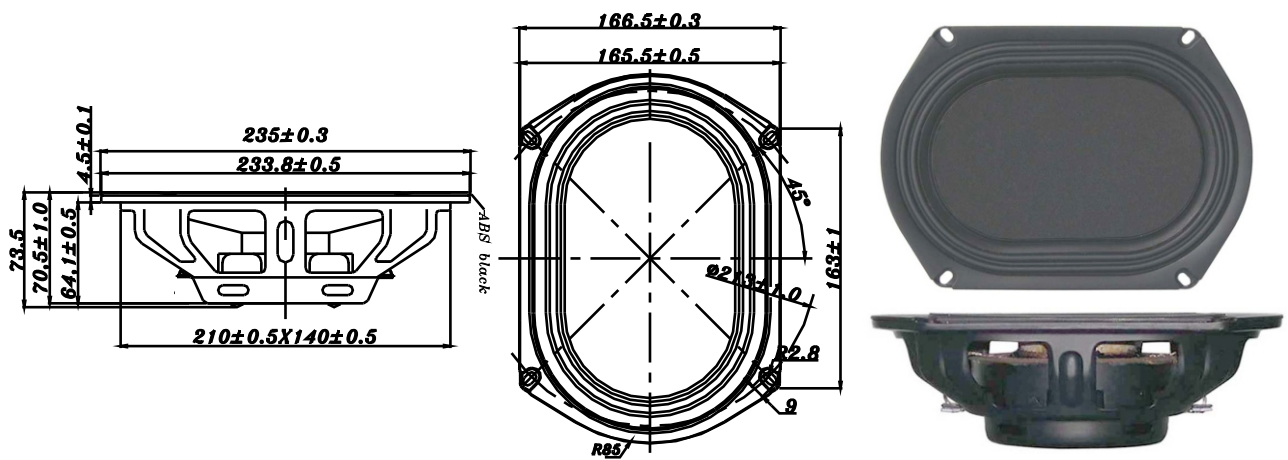


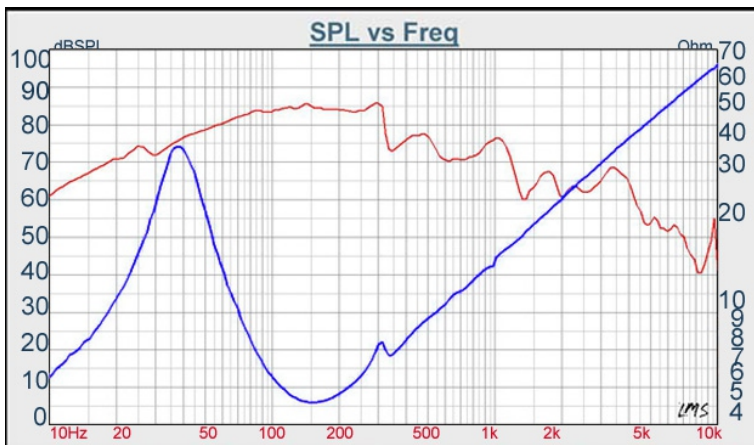
# SU SERIES

# W69-1436



- LONG THROW, SHALLOW, HIGH POWER LOADING DESIGN
- OVAL SHAPE, PP INJECTION CONE WITH TWIN ROLL RUBBER SURROUND
- NEODYMIUM MOTOR DESIGN, VENTED POLE PIECE
- STAMPED STEEL BASKET, MAGNETIC ALLY SHIELDED
- SUITABLE FOR SUBWOOFER APPLICATION

## 6\*9" SUBWOOFER



DIAPHRAGM MTL	PP injection
SURROUND MTL	Rubber W Shape
NOMINAL IMPEDANCE	4 Ω
DCR IMPEDANCE	3.2 Ω
SENSITIVITY 1W/1m	84 dB
FREQUENCY RESPONSE	40 - 350 Hz
FREE AIR RESONANCE	40 Hz
VOICE COIL DIAMETER	65.5 mm
AIR GAP HEIGHT	6 mm
RATED POWER INPUT	80 W
MAXIMUM POWER INPUT	160 W
FORCE FACTOR, BL	19.75 TM
TYPE OF MAGNET	Neodymium
MOVING MASS	139.692 g
FERROFLUID ENHANCED	No
SUSPENSION COMPLIANCE	129.640 μMN <sup>-1</sup>
EFFECTIVE PISTON AREA	0.0022 M <sup>2</sup>
Levc	0.52 mH
Zo	37 Ω
X-max	5.5 mm
Vas	9.4 Litr
Qts	0.24
Qms	2.55
Qes	0.27



VOICE:886.2.26570282 FAX:886.2.26580166  
E-MAIL :info@tb-speaker.com