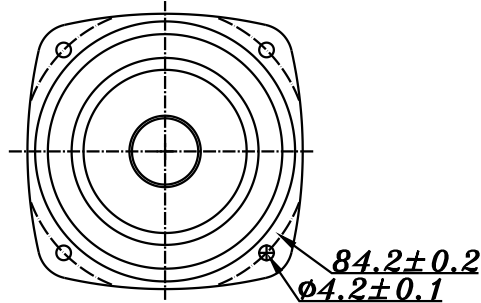
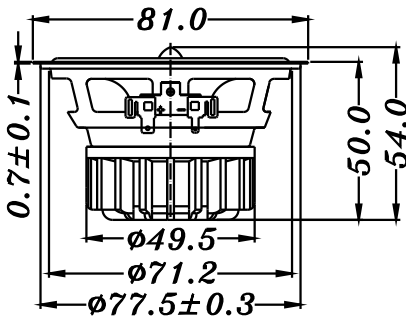


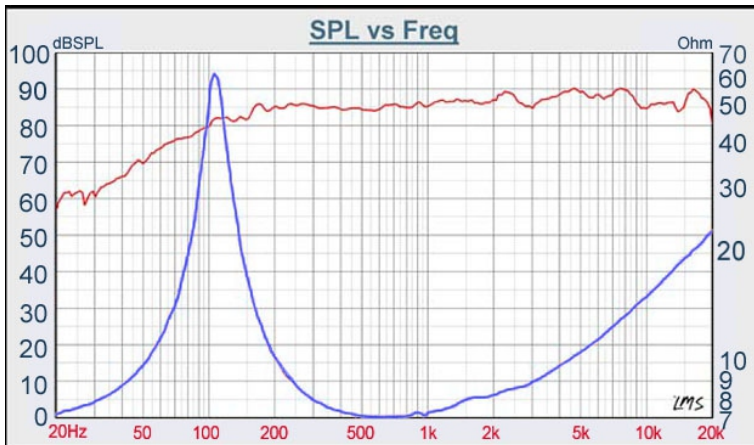
F SERIES

W3-926SD



- FULL RANGE FREQUENCY RESPONSE
- STAMPED STEEL BASKET
- ALUM. PHASE PLUG
- PP CONE WITH SANTOPRENE SURROUND
- NEODYMIUM MAGNET DESIGN
- MAGNETICALLY SHIELDED

3" PAPER FULL RANGE



DIAPHRAGM MTL	Black PP
SURROUND MTL	Santoprene
NOMINAL IMPEDANCE	8 Ω
DCR IMPEDANCE	6 Ω
SENSITIVITY 1W/1m	87 dB
FREQUENCY RESPONSE	110 - 20K Hz
FREE AIR RESONANCE	110 Hz
VOICE COIL DIAMETER	20.4 mm
AIR GAP HEIGHT	4 mm
RATED POWER INPUT	12 W
MAXIMUM POWER INPUT	25 W
FORCE FACTOR, BL	3.84 TM
TYPE OF MAGNET	Neodymium
MOVING MASS	2 g
FERROFLUID ENHANCED	No
SUSPENSION COMPLIANCE	1302 μMN^{-1}
EFFECTIVE PISTON AREA	0.0032 M^2
Levc	0.067 mH
Zo	70 Ω
X-max	0.75 mm
Vas	1.89 Liter
Qts	0.51
Qms	5.38
Qes	0.5



VOICE:886.2.26570282 FAX:886.2.26580166
E-MAIL :info@tb-speaker.com