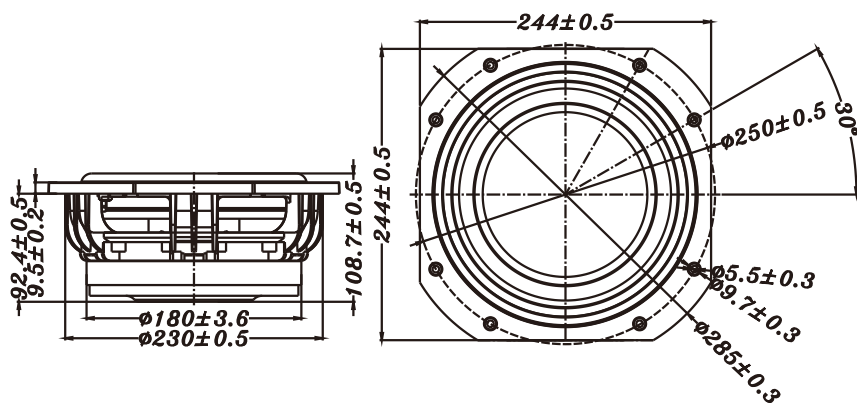


# PM SERIES

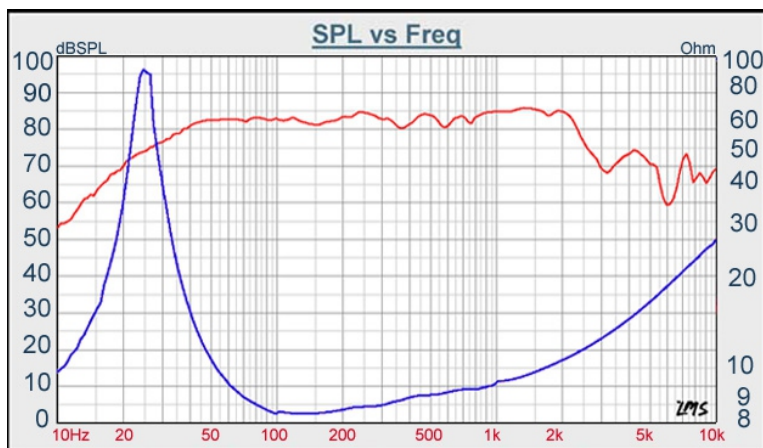
# W8-2022



- UNIQUE, PATENTED SUSPENSION SYSTEM PROVIDES EXTREMELY LINEAR EXCURSION.
- HIGH POWER HANDLING DESIGN, 75mm OF VOICE COIL
- LIGHT WEIGHT AND HIGH STIFFNESS OF FLAT COMPOSITE CONE BODY
- PATENTED ALUMINUM BASKET DESIGN
- EXTREMELY LOW DISTORTION (THD), EVEN <100Hz.
- GOOD FOR WOOFER OR SUBWOOFER APPLICATION

## 8" PP SANDWICH FOAM WOOFER

DIAPHRAGM MTL	PP Sandwich foam
SURROUND MTL	Rubber
NOMINAL IMPEDANCE	8 $\Omega$
DCR IMPEDANCE	6.6 $\Omega$
SENSITIVITY 1W/1m	83 dB
FREQUENCY RESPONSE	25 - 1 K Hz
FREE AIR RESONANCE	25 Hz
VOICE COIL DIAMETER	75.5 mm
AIR GAP HEIGHT	8 mm
RATED POWER INPUT	60 W
MAXIMUM POWER INPUT	120 W
FORCE FACTOR, BL	15.77 TM
TYPE OF MAGNET	Ferrite
MOVING MASS	99.78 g
FERROFLUID ENHANCED	No
SUSPENSION COMPLIANCE	417.52 $\mu\text{MN}^{-1}$
EFFECTIVE PISTON AREA	0.023 M <sup>2</sup>
Levc	0.21 mH
Zo	90 $\Omega$
X-max	8 mm
Vas	31.36 Litr
Qts	0.38
Qms	5.24
Qes	0.41



# TB SPEAKERS

VOICE:886.2.26570282 FAX:886.2.26580166  
E-MAIL :info@tb-speaker.com