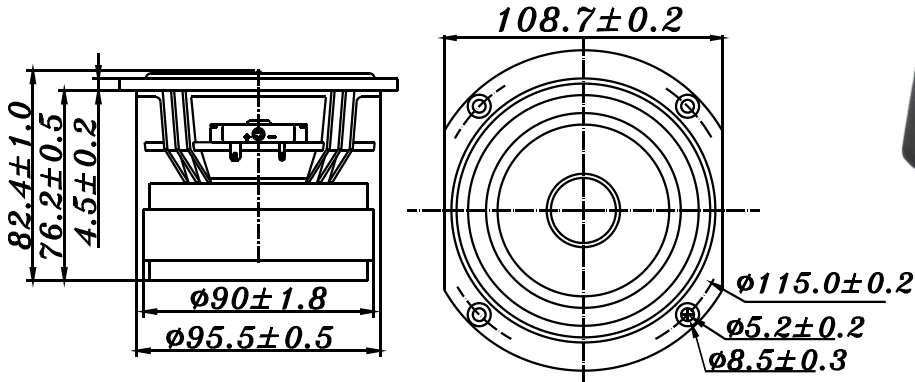


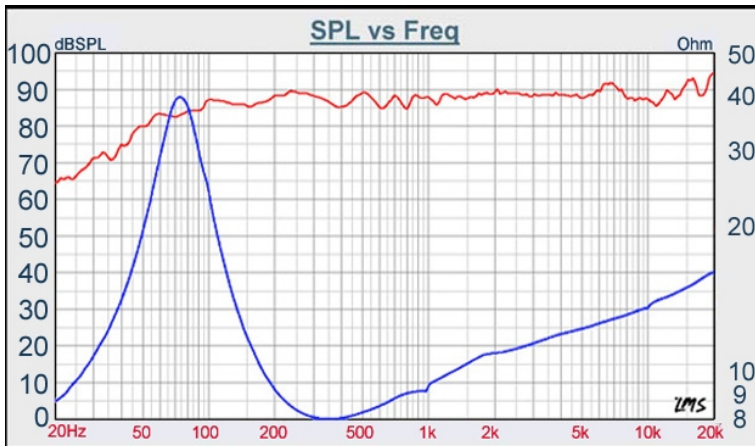
# F SERIES

# W4-1320SJF



- LONG THROW, HIGH POWER LOADING DESIGN
- BAMBOO FIBER PAPER CONE WITH RUBBER SURROUND
- DIE CAST BASKET
- UNDERHUNG DESIGN
- LOW 2nd, 3rd DISTORTION DESIGN

## 4" PAPER FULL RANGE



DIAPHRAGM MTL	Paper
SURROUND MTL	Rubber
NOMINAL IMPEDANCE	8 Ω
DCR IMPEDANCE	6.3 Ω
SENSITIVITY 1W/1m	88 dB
FREQUENCY RESPONSE	75 - 20K Hz
FREE AIR RESONANCE	75 Hz
VOICE COIL DIAMETER	25.4 mm
AIR GAP HEIGHT	10 mm
RATED POWER INPUT	25 W
MAXIMUM POWER INPUT	50 W
FORCE FACTOR, BL	5.14 TM
MAGNET WEIGHT	Ferrite
MOVING MASS	3.99 g
FERROFLUID ENHANCED	No
SUSPENSION COMPLIANCE	1134 $\mu\text{MN}^{-1}$
EFFECTIVE PISTON AREA	0.0057 $\text{M}^2$
Levc	0.024 mH
Zo	38 ohm
X-max	3 mm
Vas	5.23 Liter.
Qts	0.38
Qms	2.40
Qes	0.45



P.O. BOX 10-53 NEI HU, TAIPEI, TAIWAN  
 VOICE 886.2.26570282 FAX 886.2.26580166