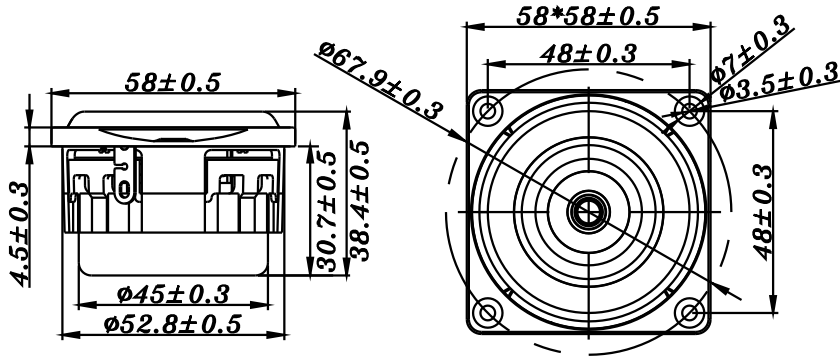


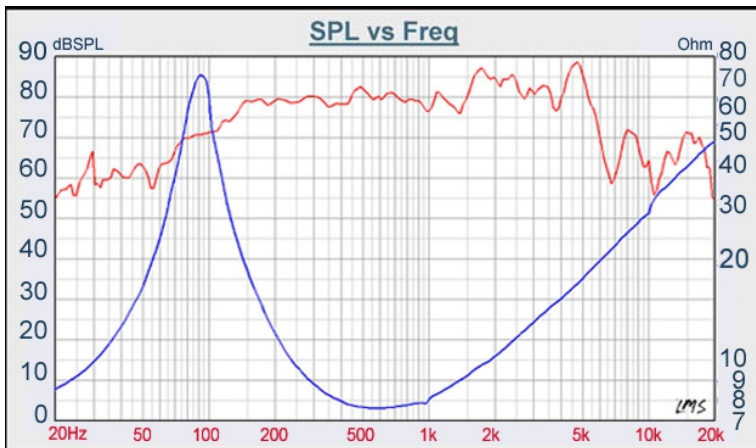
SU SERIES

W2-1625SA



- PATENTED STRUCTURE , NEW MATERIAL APPLIED
- THE HIGHEST STABILITY AND CONSISTENCY DESIGN
- NEW MATERIAL AND DONE BY INJECTION PROCESS
- 25mm OF VC, LONG THROW, HIGH POWER LOADING
GOOD FOR SMALL SUBWOOFER DESIGN
- NEODYMIUM MAGNET, SHIELDED

2" SUBWOOFER



DIAPHRAGM MTL	PP
SURROUND MTL	Santoprene
NOMINAL IMPEDANCE	8 Ω
DCR IMPEDANCE	6.6 Ω
SENSITIVITY 1W/1M	80 dB
FREQUENCY RESPONSE	90 - 500 Hz
FREE AIR RESONANCE	90 Hz
VOICE COIL DIAMETER	25.4 mm
AIR GAP HEIGHT	4 mm
RATED POWER INPUT	20 W
MAXIMUM POWER INPUT	40 W
FORCE FACTOR, BL	5.16 TM
TYPE OF MAGNET	Neodymium
MOVING MASS	2.30 g
FERROFLUID ENHANCED	No
SUSPENSION COMPLIANCE	1295 μMN ⁻¹
EFFECTIVE PISTON AREA	0.0015 M ²
Levc	0.215 mH
Zo	86 Ω
Xmax	2.0 mm
Vas	0.31 Liter
Qts	0.31
Qms	3.94
Qes	0.33



VOICE: 886.2.26570282 FAX: 886.2.26580166
E-MAIL: info@tb-speaker.com