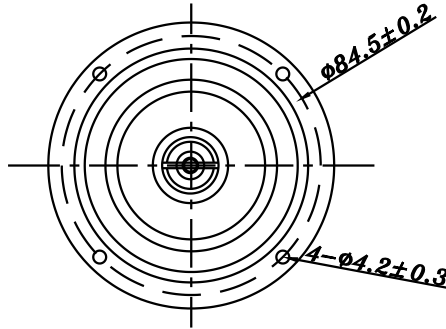
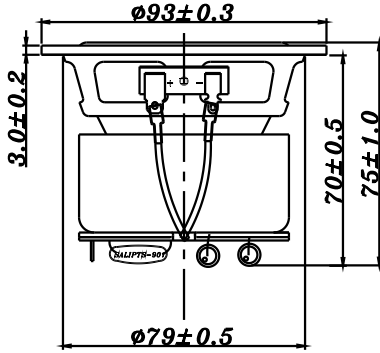


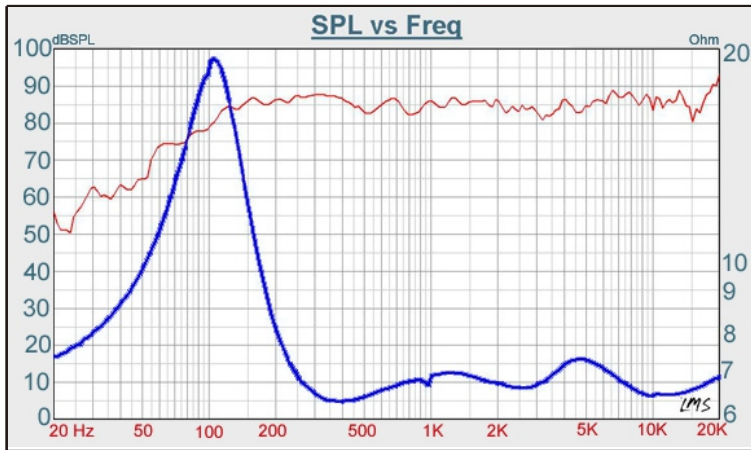
F SERIES

W3-1723S



- COAXIAL SPEAKER, 13mm TWEETER AND 3" WOOFER
- PP CONE WITH RUBBER SURROUND
- FERRITE MAGNET OF WOOFER
- TINY TWEETER BUILT-IN COAXIAL SPEAKER
- POINT SOURCE DESIGN

3" PP COAXIAL FULL RANGE



DIAPHRAGM MTL	PP
SURROUND MTL	Santoprene
NOMINAL IMPEDANCE	6 Ω
DCR IMPEDANCE	5.4 Ω
SENSITIVITY 1W/1M	86 dB
FREQUENCY RESPONSE	100 - 20K Hz
FREE AIR RESONANCE	100 Hz
VOICE COIL DIAMETER	20.4 mm
AIR GAP HEIGHT	4 mm
RATED POWER INPUT	12 W
MAXIMUM POWER INPUT	25 W
FORCE FACTOR, BL	4.1 TM
TYPE OF MAGNET	Ferrite
MOVING MASS	2.50 g
FERROFLUID ENHANCED	No
SUSPENSION COMPLIANCE	845 μMN^{-1}
EFFECTIVE PISTON AREA	0.0032 M^2
Levc	0.053 mH
Zo	19 Ω
Xmax	1.1 mm
Vas	1.23 Litr
Qts	0.46
Qms	2.27
Qes	0.58

TB SPEAKERS

VOICE: 886.2.26570282 FAX: 886.2.26580166
E-MAIL: info@tb-speaker.com