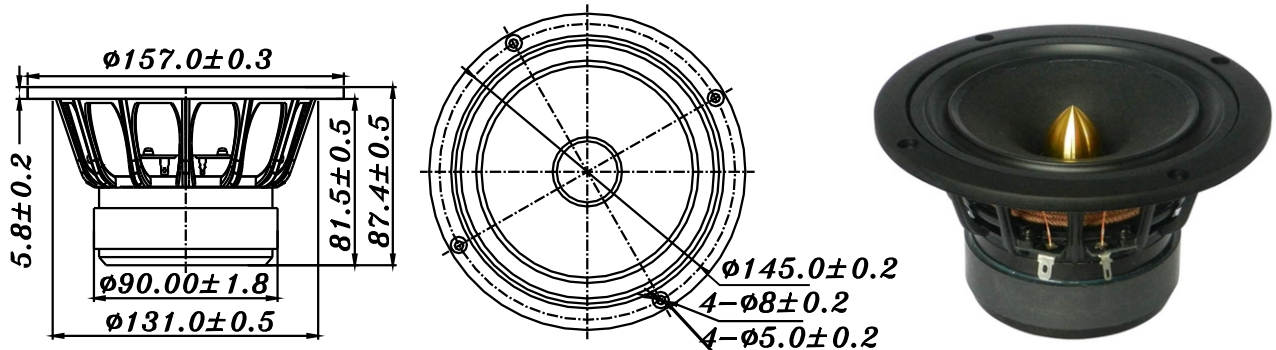


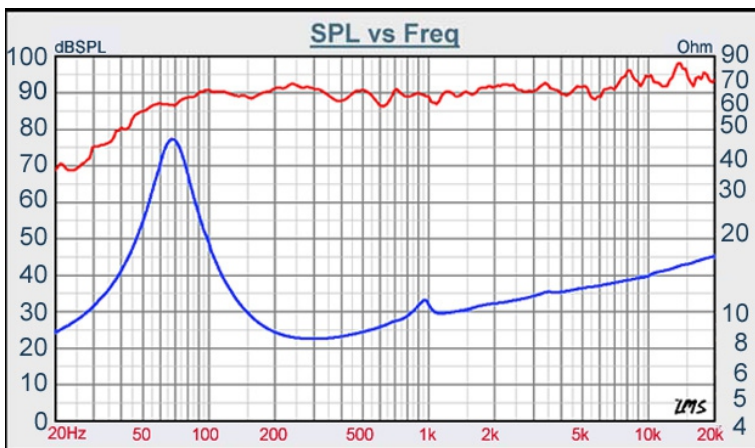
F SERIES

W5-2106



- FULL RANGE DESIGN
- BAMBOO FIBER CONE WITH WIDE RANGE TEMPERATURE, HIGH LOSS RECIPE OF RUBBER SURROUND
- UNDERHUNG MOTOR DESIGN
- GF REINFORCED NYLON BASKET

5" PAPER FULL RANGE



DIAPHRAGM MTL	Bamboo fiber
SURROUND MTL	Rubber
NOMINAL IMPEDANCE	8 Ω
DCR IMPEDANCE	6.3 Ω
SENSITIVITY 1W/1M	90 dB
FREQUENCY RESPONSE	60 - 20K Hz
FREE AIR RESONANCE	60 Hz
VOICE COIL DIAMETER	25.4 mm
AIR GAP HEIGHT	10 mm
RATED POWER INPUT	28 W
MAXIMUM POWER INPUT	56 W
FORCE FACTOR, BL	5.59 TM
TYPE OF MAGNET	Ferrite
MOVING MASS	5.987 g
FERROFLUID ENHANCED	No
SUSPENSION COMPLIANCE	931.34 μMN ⁻¹
EFFECTIVE PISTON AREA	0.0094 M ²
Levc	0.022 mh
Zo	45 ohm
X-max	3 mm
Vas	11.69 Litr
Qts	0.44
Qms	3.10
Qes	0.51

TB SPEAKERS

VOICE:886.2.26570282 FAX:886.2.26580166
E-MAIL :info@tb-speaker.com