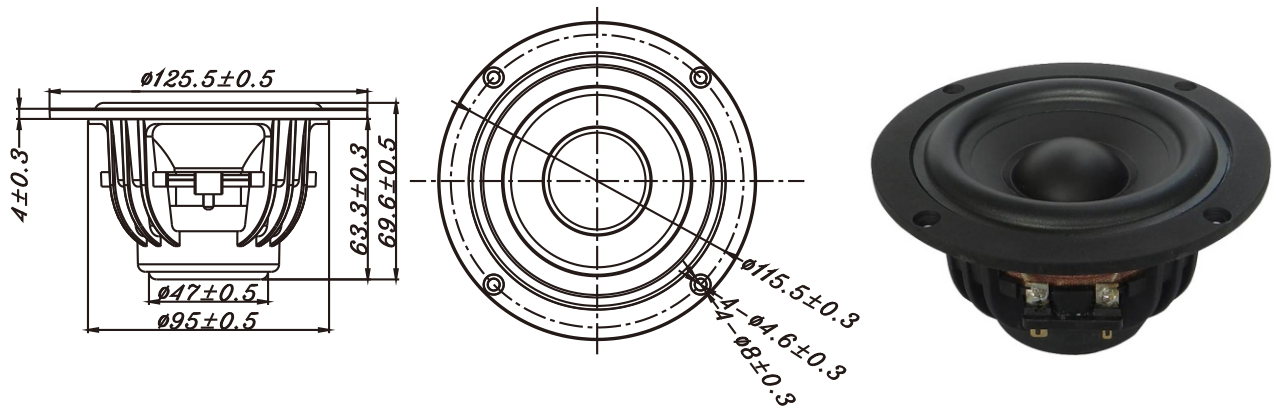


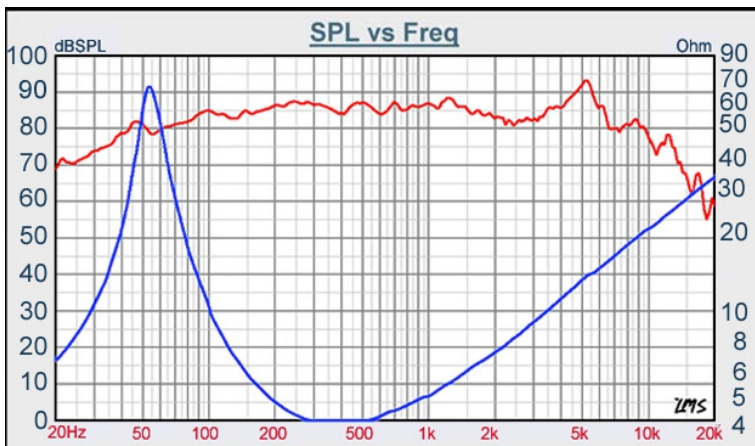
WF SERIES

W4-2193S



- EXCELLENT WOOFER WITH 86dB OF SENSITIVITY AND F0=50HZ
- ENGINEERING PLASTIC BASKET
- MINERAL FILLED PP. CONE WITH WIDE RANGE TEMP RUBBER SURROUND
- NEODYMIUM MOTOR DESIGN

4" PP CONE WOOFER



DIAPHRAGM MTL	PP
SURROUND MTL	Rubber
NOMINAL IMPEDANCE	4 Ω
DCR IMPEDANCE	3.4 Ω
SENSITIVITY 1W/1m	86 dB
FREQUENCY RESPONSE	50-5 K Hz
FREE AIR RESONANCE	50 Hz
VOICE COIL DIAMETER	25.4 mm
AIR GAP HEIGHT	4 mm
RATED POWER INPUT	30 W
MAXIMUM POWER INPUT	60 W
FORCE FACTOR, BL	5.86 TM
TYPE OF MAGNET	Neodymium
MOVING MASS	7.98 g
FERROFLUID ENHANCED	No
SUSPENSION COMPLIANCE	1136 μMN ⁻¹
EFFECTIVE PISTON AREA	0.0057 M ²
Levc	0.128 mH
Zo	73 Ω
X-max	4.5 mm
Vas	5.24 Litr
Qts	0.25
Qms	5.08
Qes	0.26

TB SPEAKERS

VOICE:886.2.26570282 FAX:886.2.26580166
E-MAIL :info@tb-speaker.com