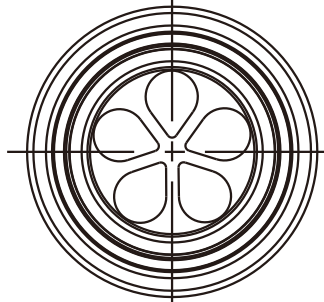
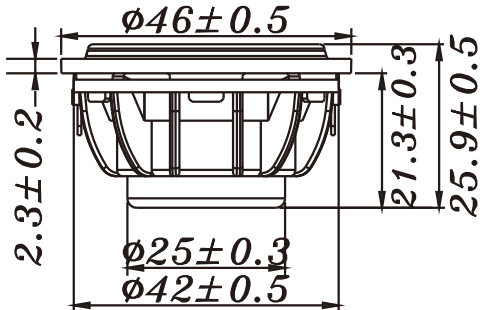


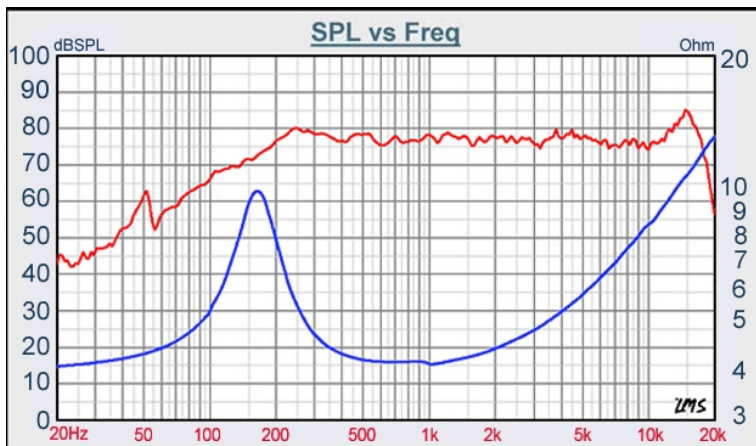
F SERIES

W1-2067SA



- THE HIGHEST PERFORMANCE OF INNOVATIVE TINY FULL RANGE DRIVER DESIGN
- OUTSIDE DIAMETER OF 46mm, Fo:150Hz
- ALUM. CONE WITH SANTOPRENE SURROUND
- NEODYMIUM MOTOR SYSTEM
- PATENTED PRODUCT WITH EXCELLENT CONSISTENCY
- IT'S GOOD FOR MULTIMEDIA APPLICATION

1" ALUM CONE, FULL RANGE



DIAPHRAGM MTL	Alum.
SURROUND MTL	Santoprene
NOMINAL IMPEDANCE	4 Ω
DCR IMPEDANCE	3.3 Ω
SENSITIVITY 1W/1m	78 dB
FREQUENCY RESPONSE	150 -17K Hz
FREE AIR RESONANCE	150 Hz
VOICE COIL DIAMETER	19.4 mm
AIR GAP HEIGHT	1.3 mm
RATED POWER INPUT	3 W
MAXIMUM POWER INPUT	6 W
FORCE FACTOR, BL	1.73 TM
TYPE OF MAGNET	Neodymium
MOVING MASS	1.0 g
FERROFLUID ENHANCED	YES
SUSPENSION COMPLIANCE	919.05 μMN^{-1}
EFFECTIVE PISTON AREA	0.0009 M^2
Levc	0.049 mH
Zo	10 ohm
X-max	2 mm
Vas	0.11 Litr
Qts	0.76
Qms	2.29
Qes	1.15

TB SPEAKERS

VOICE:886.2.26570282 FAX:886.2.26580166
E-MAIL :info@tb-speaker.com